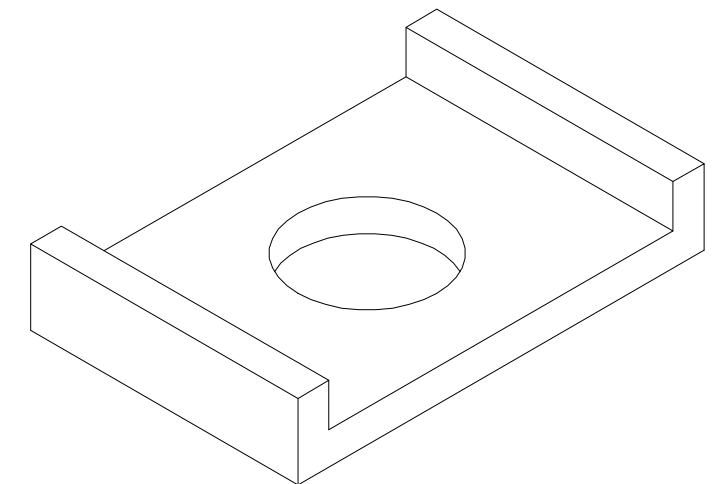
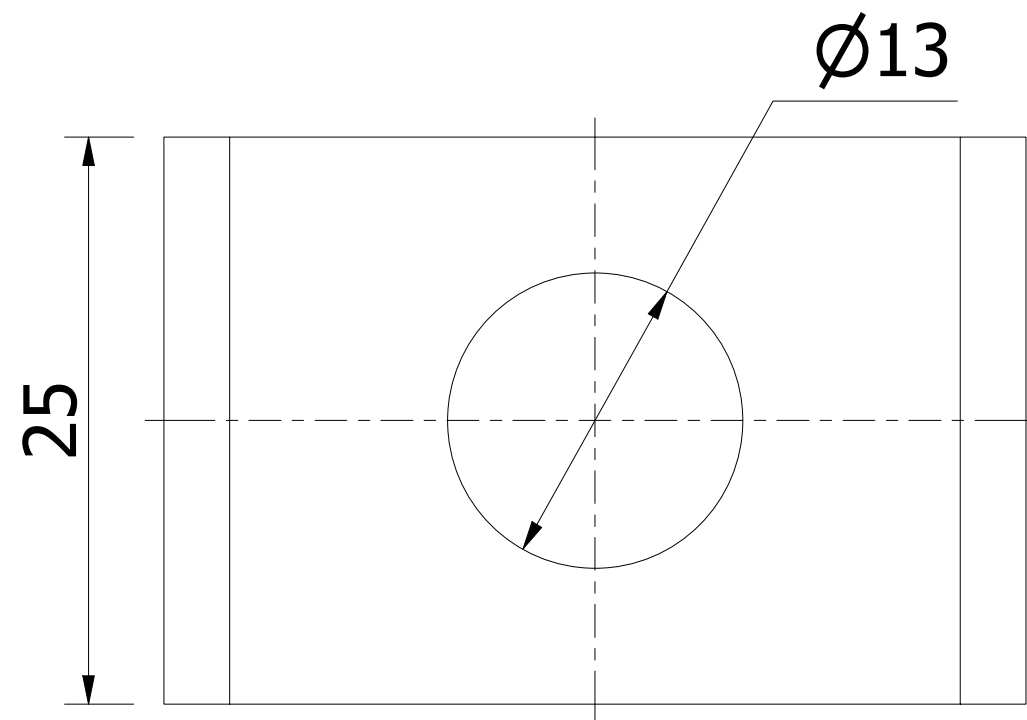
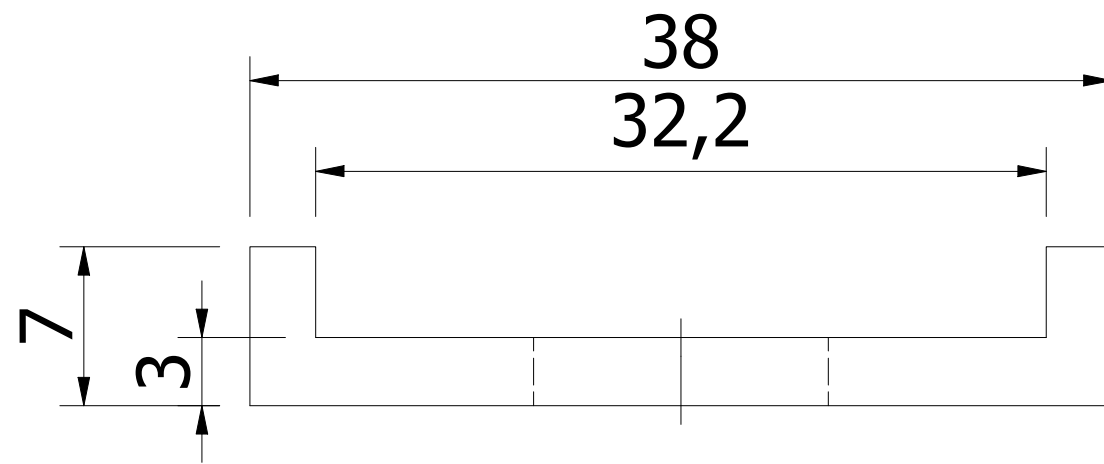


Product code: UPD-25



Suitable D-size clamps

DIMENSIONS

Drawing name	Rev	Date
UDP-25_D.dwg	0	15.4.2025