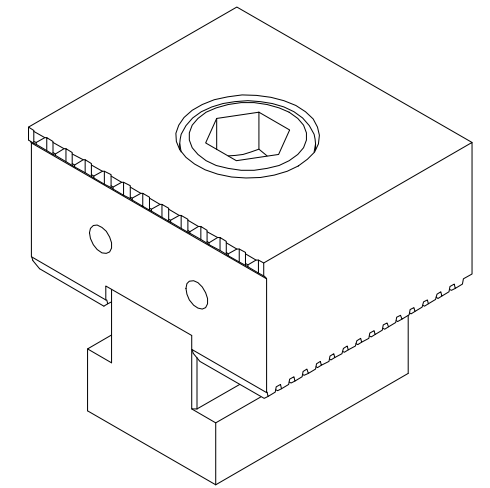
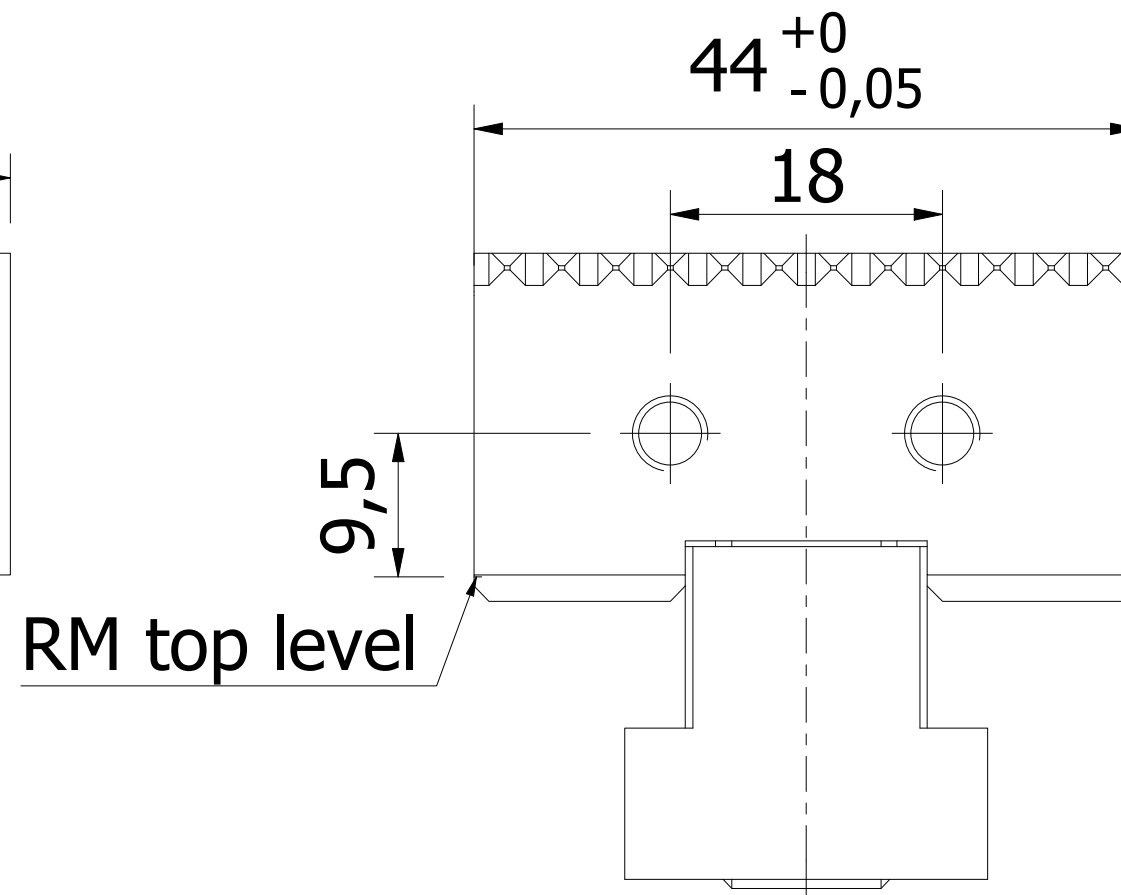
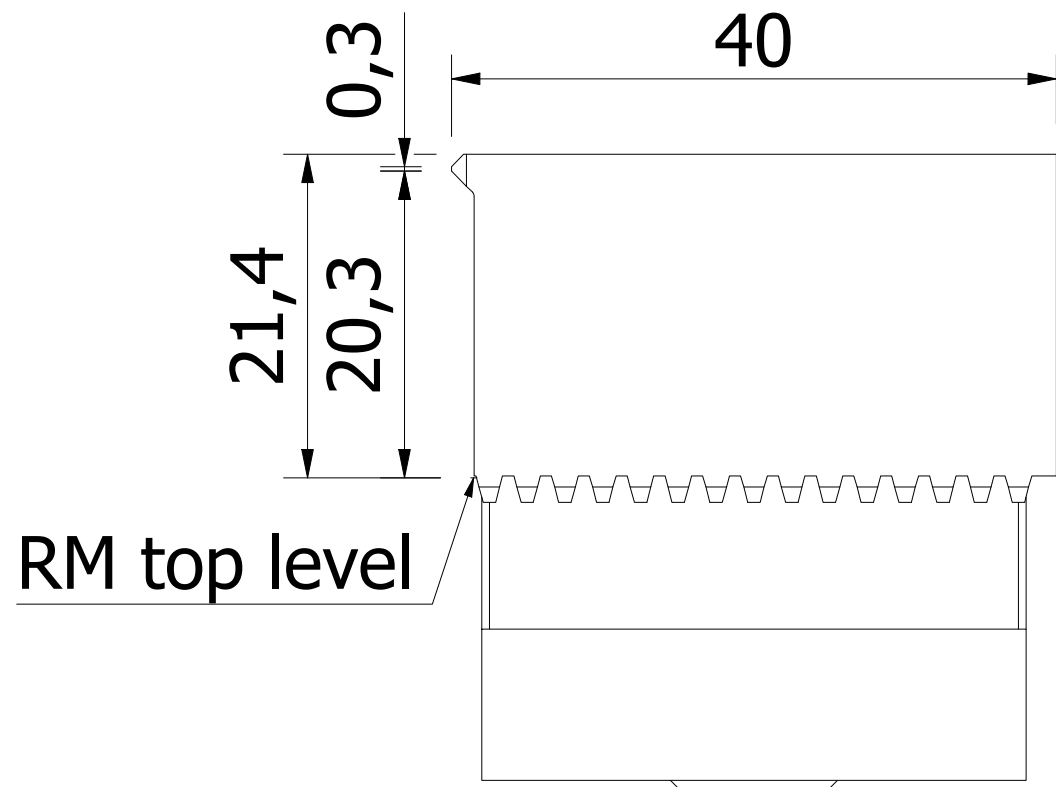
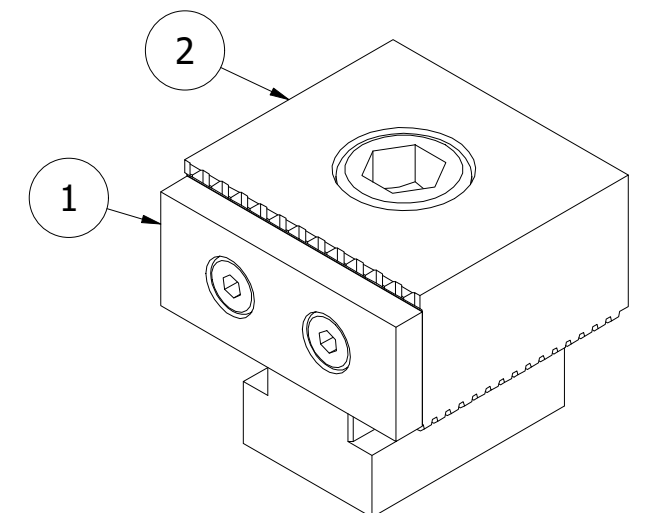
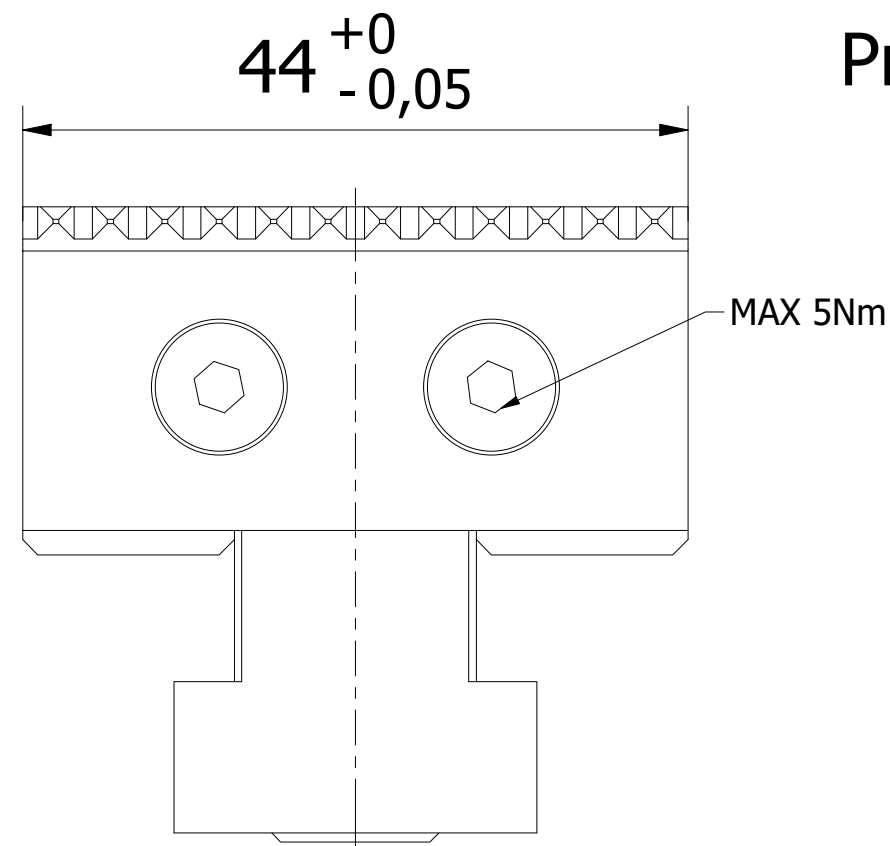
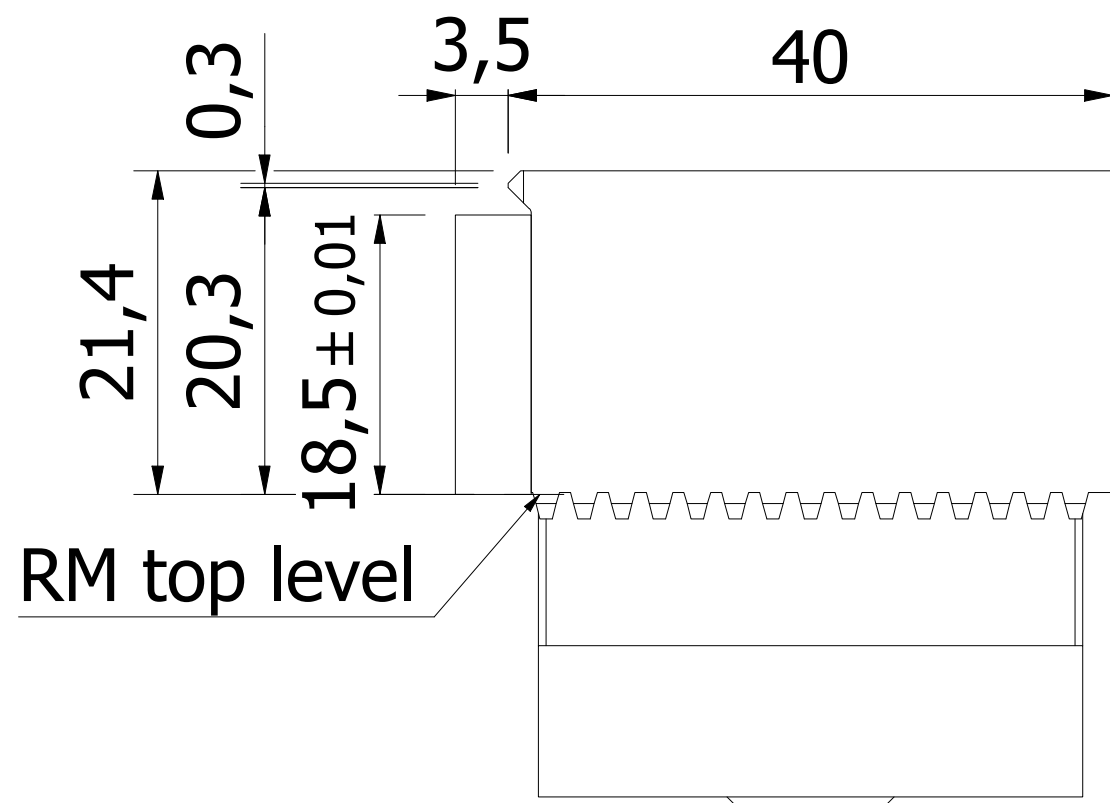


Product code: RMS-G4S



Product code: RMS-SG4P



PARTS LIST		
ITEM	PART NUMBER	QTY
1	JDP	1
2	RMS-G4S	1

DIMENSIONS

Drawing name	Rev	Date
RMS-SG4A_D.dwg	0	21.5.2026