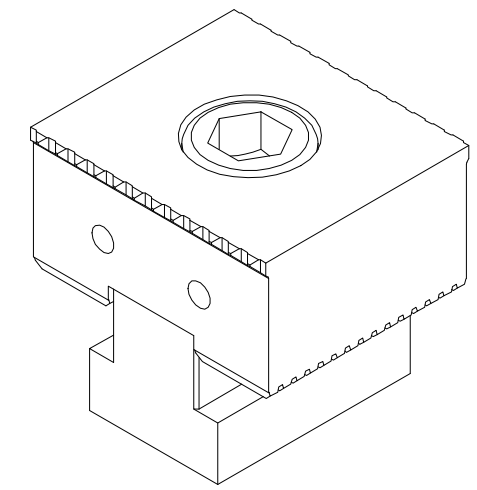
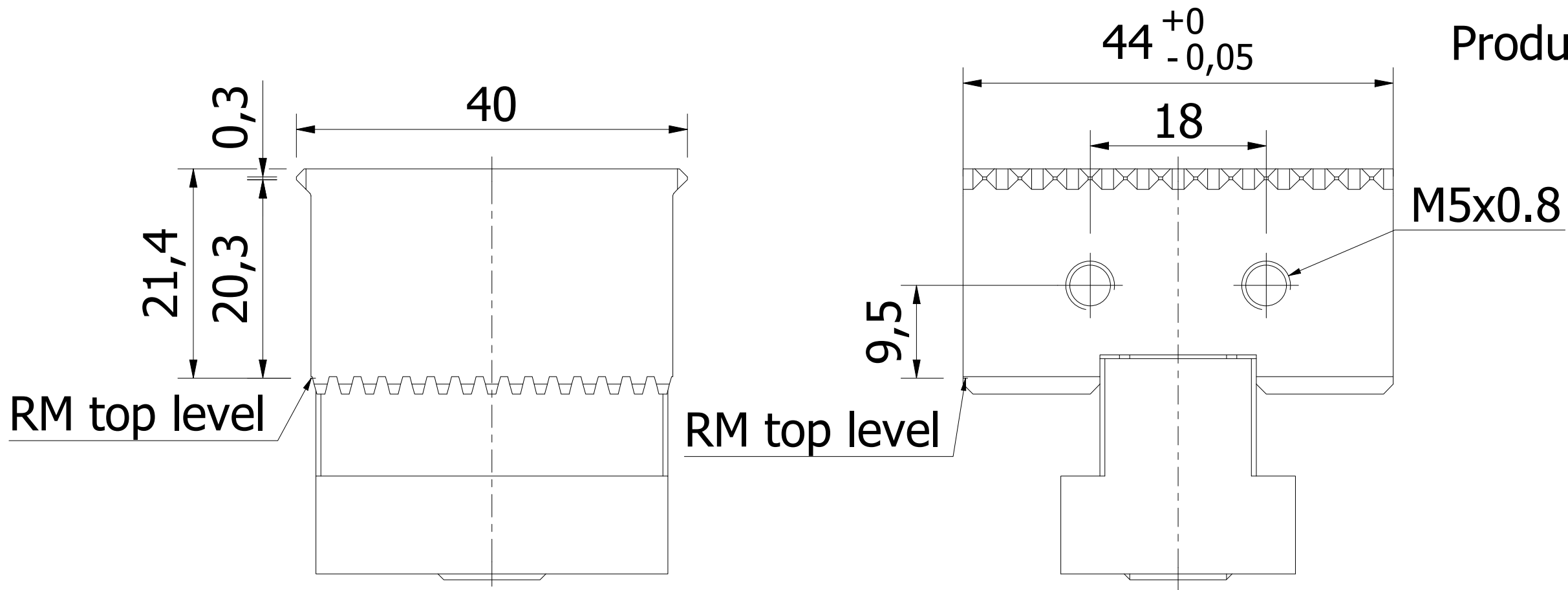
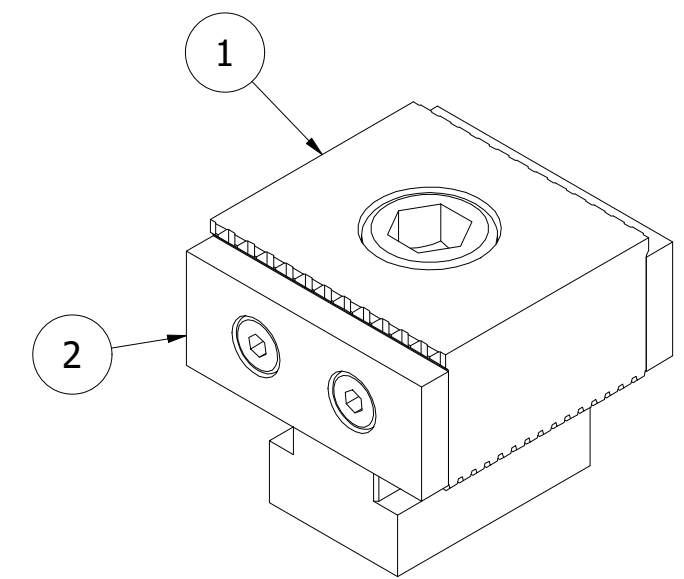
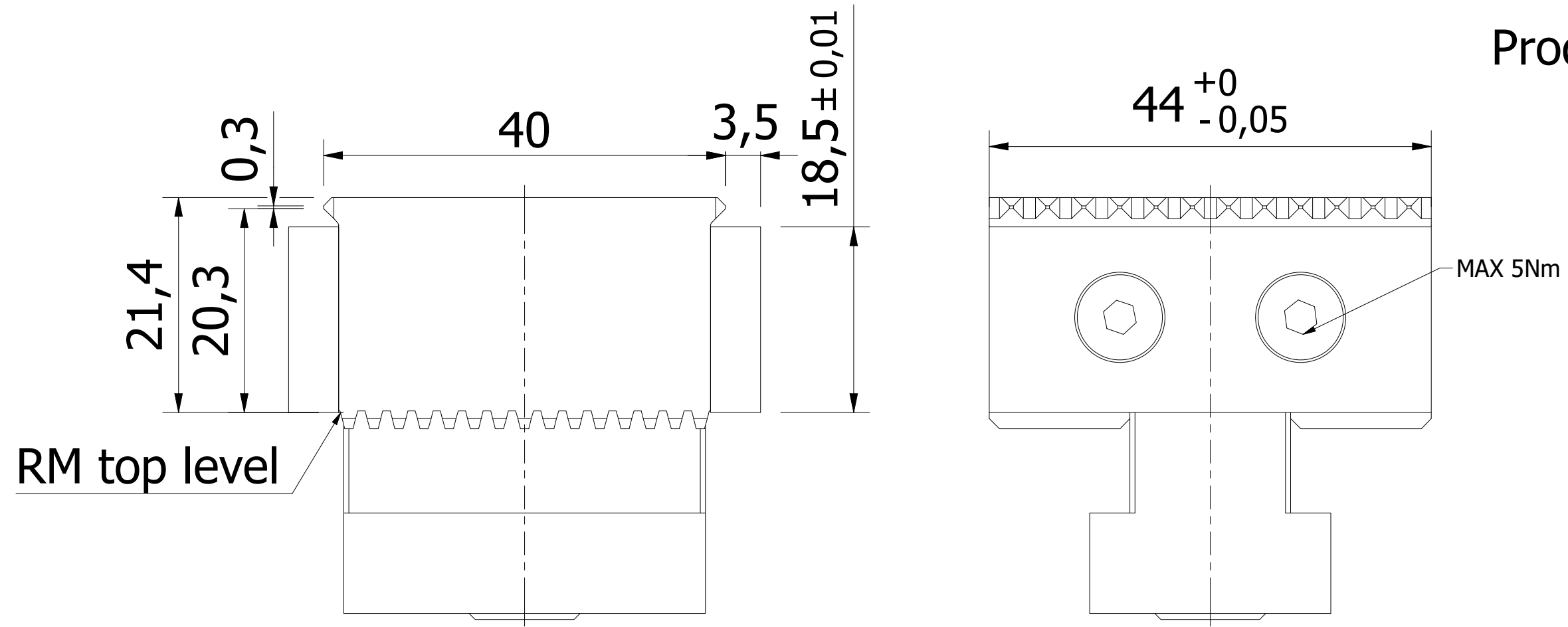


Product code: RMS-G4



Product code: RMS-G4P



PARTS LIST		
ITEM	PART NUMBER	QTY
1	RMS-G4	1
2	JDP	2

DIMENSIONS

Drawing name	Rev	Date
RMS-G4A_D.dwg	0	21.5.2026