

PRODUCT CODE: DK2-VT-SG

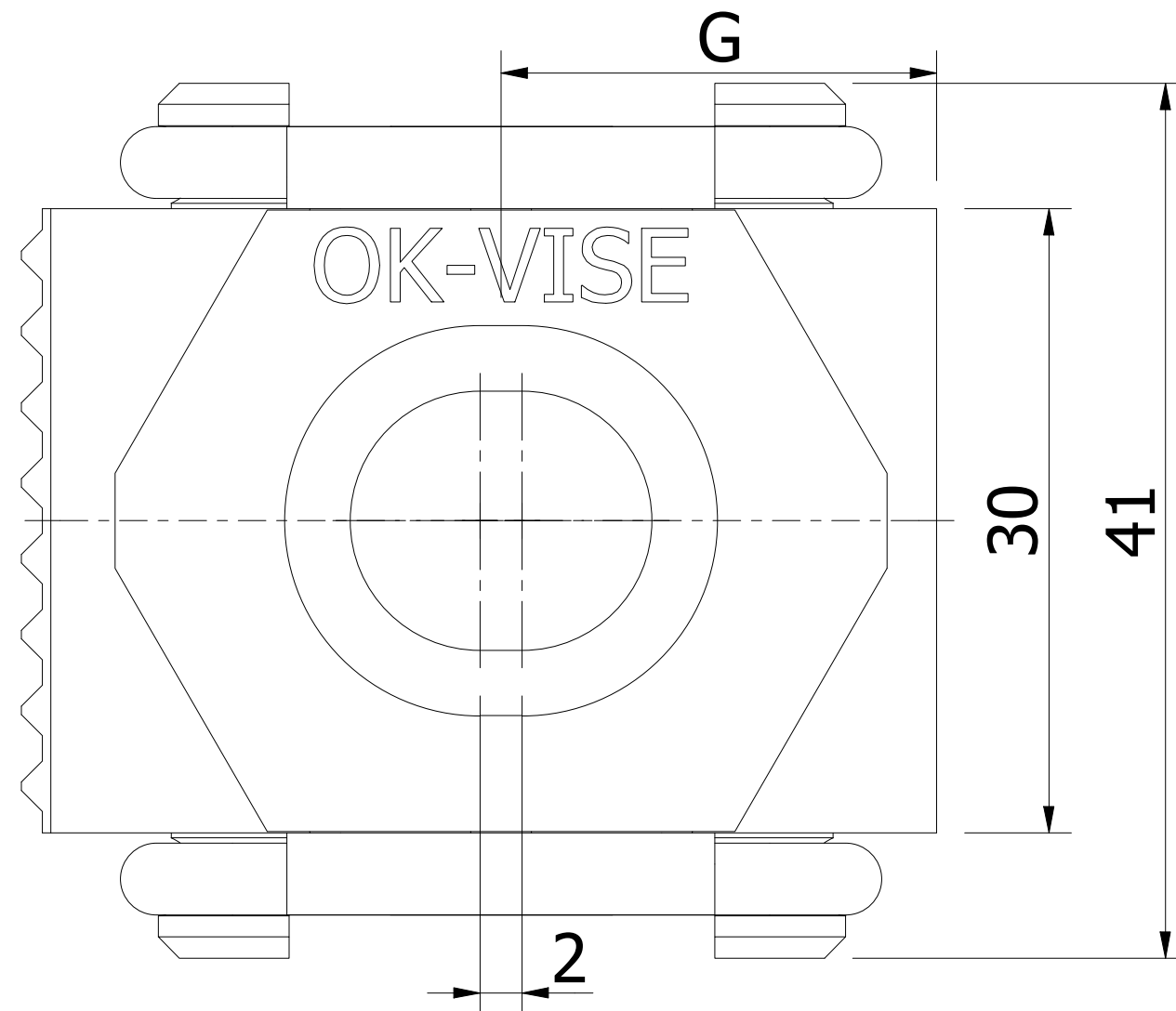
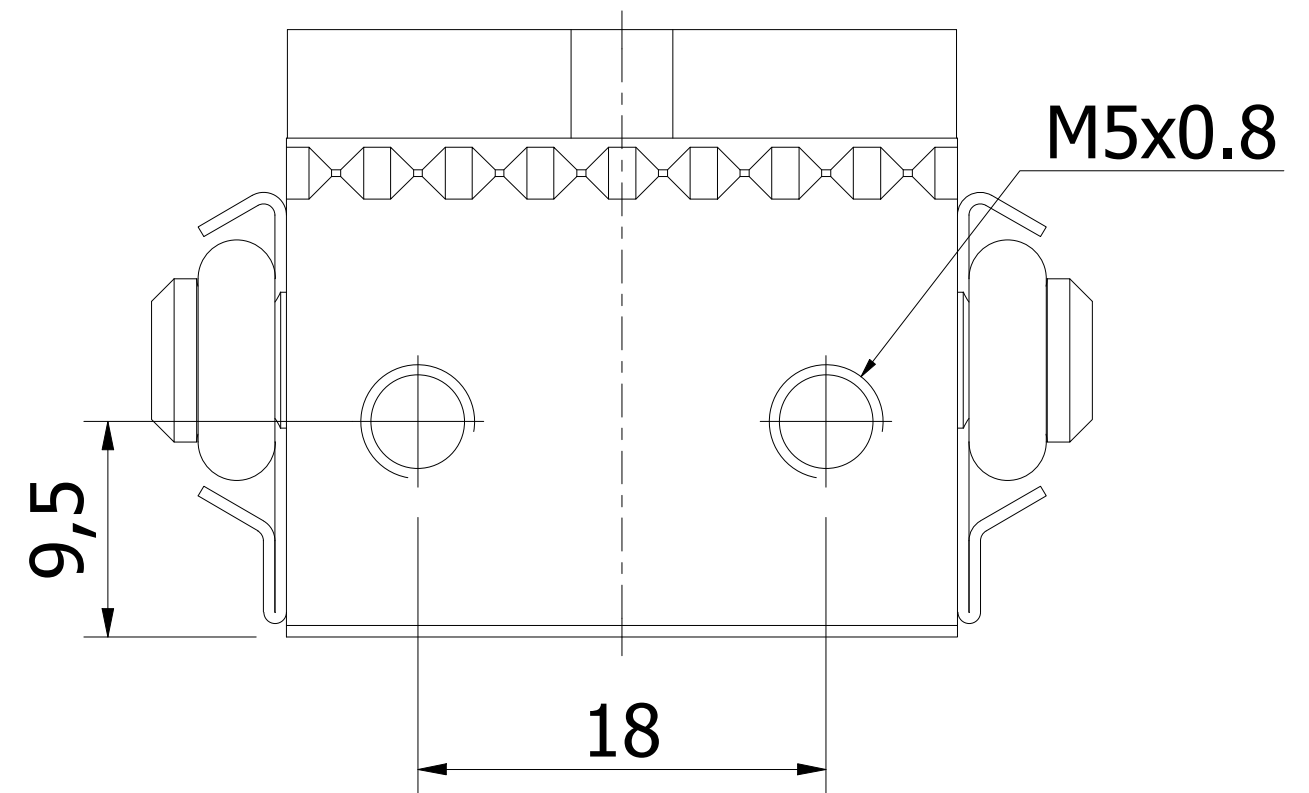
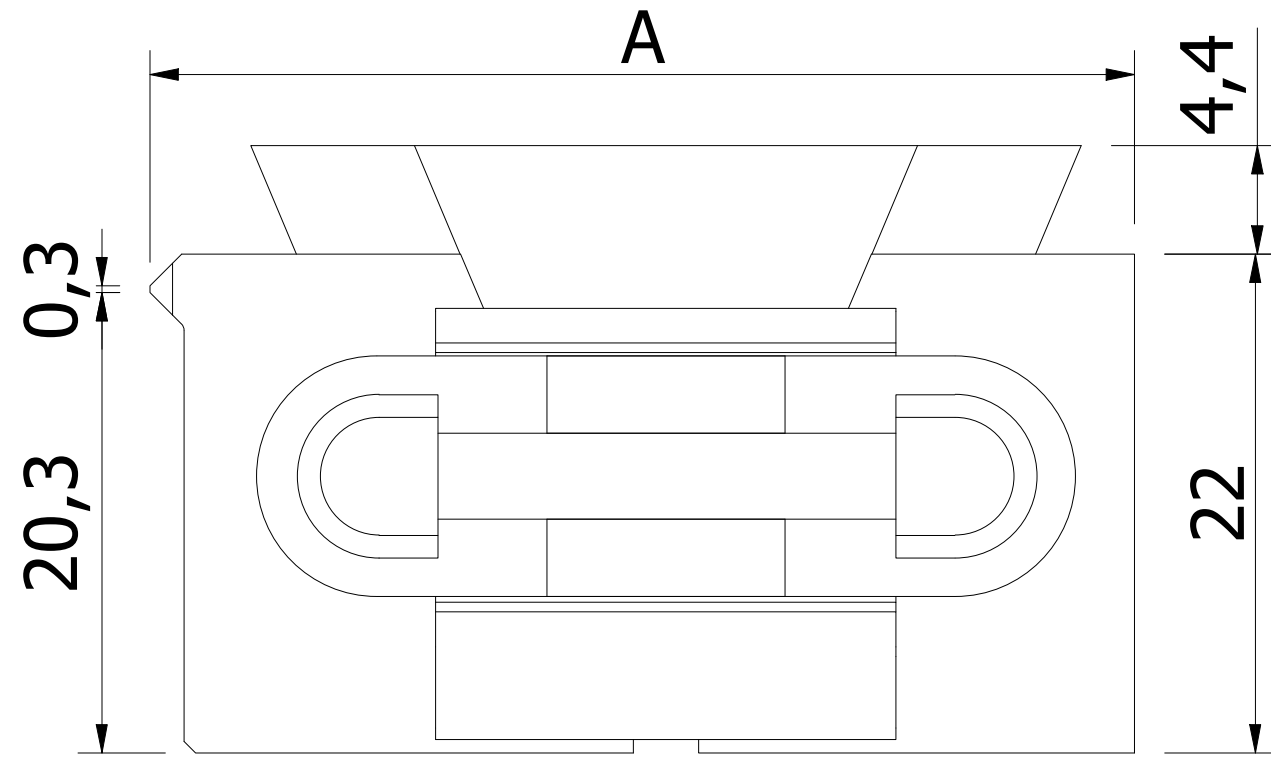


Table			
MEASURE	MIN	OPTIMUM	MAX
A	43	46	56
G	21	22,5	24,5

DIMENSIONS

Drawing name	Rev	Date
DK2-VT-SG_D.dwg	1	26.2.2026