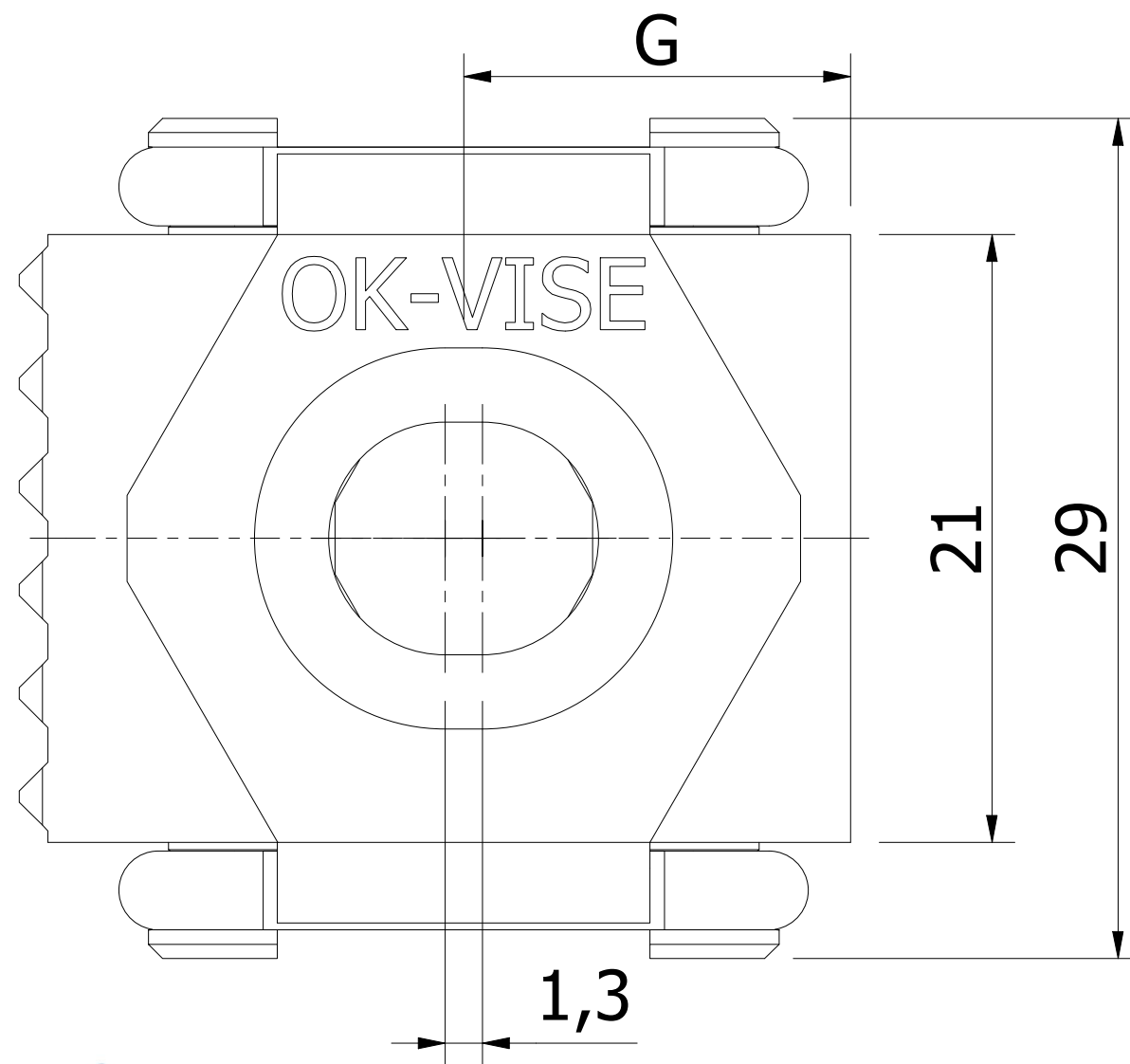
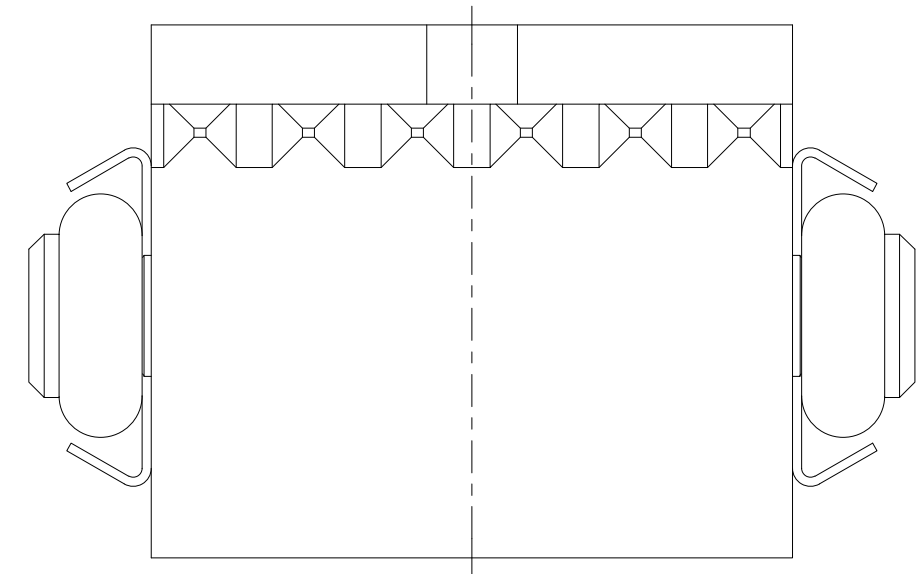
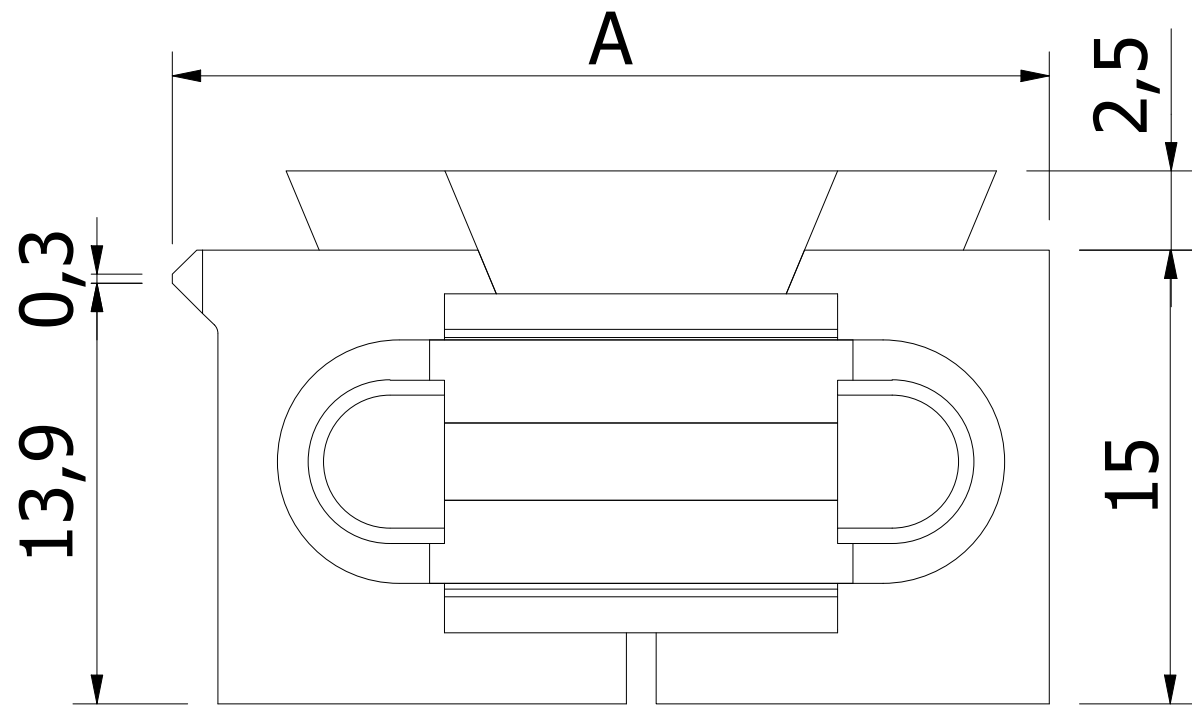


PRODUCT CODE: BK2-VT-SG



| TABLE | | | |
|---------|------|---------|------|
| MEASURE | MIN | OPTIMUM | MAX |
| A | 28,7 | 30 | 33,5 |
| G | 13,7 | 14,5 | 15,7 |

DIMENSIONS

| Drawing name | Rev | Date |
|-----------------|-----|-----------|
| BK2-VT-SG_D.dwg | 1 | 26.2.2026 |