

Product code: RHC-

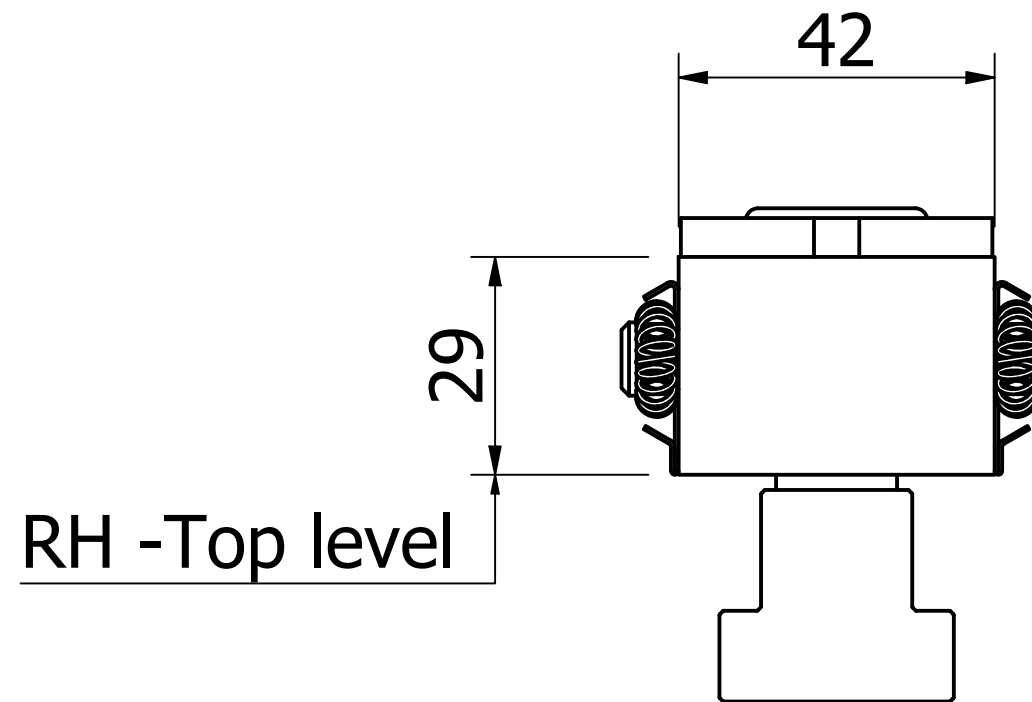
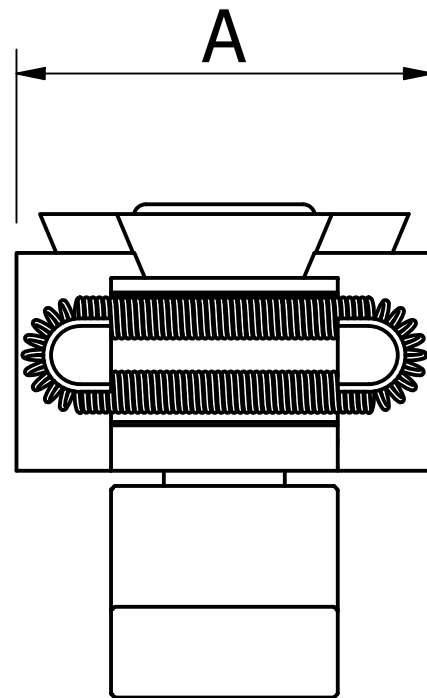
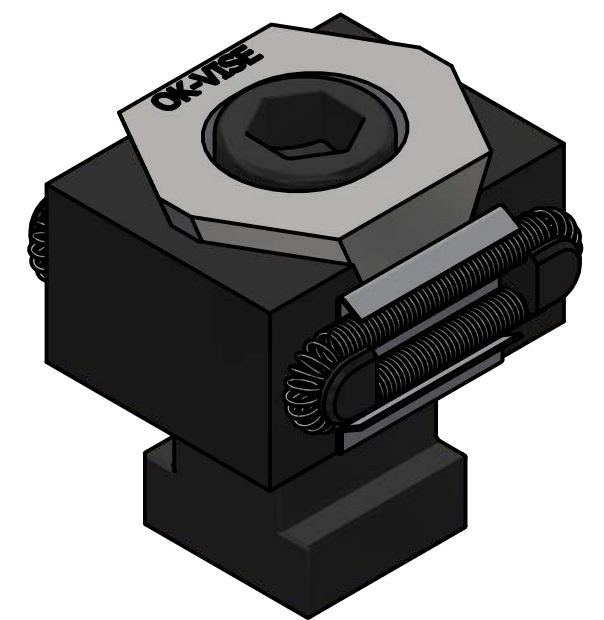


TABLE		
Type	A	Clamp
RHC-FS1	57-64	Smooth
RHC-FR1	57-64	Serrated
RHC-FSR1	57-64	Smooth/Serrated



DIMENSIONS

Drawing name	Rev	Date
RHC-FX1_D.dwg	0	22.5.2025