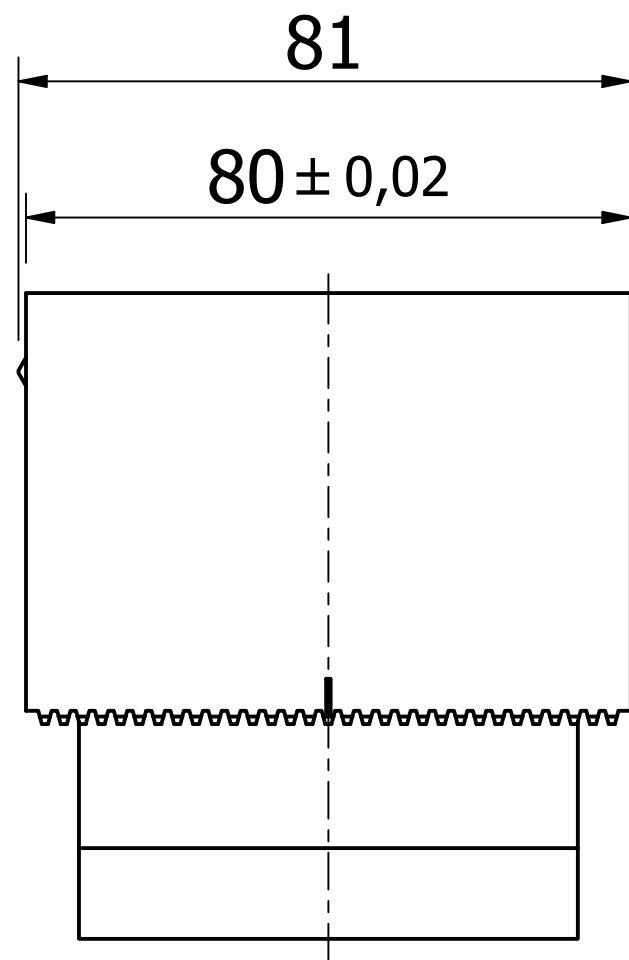
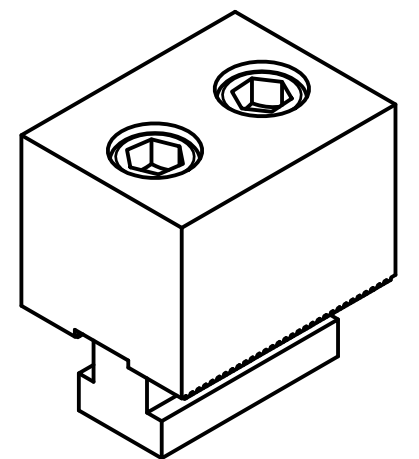
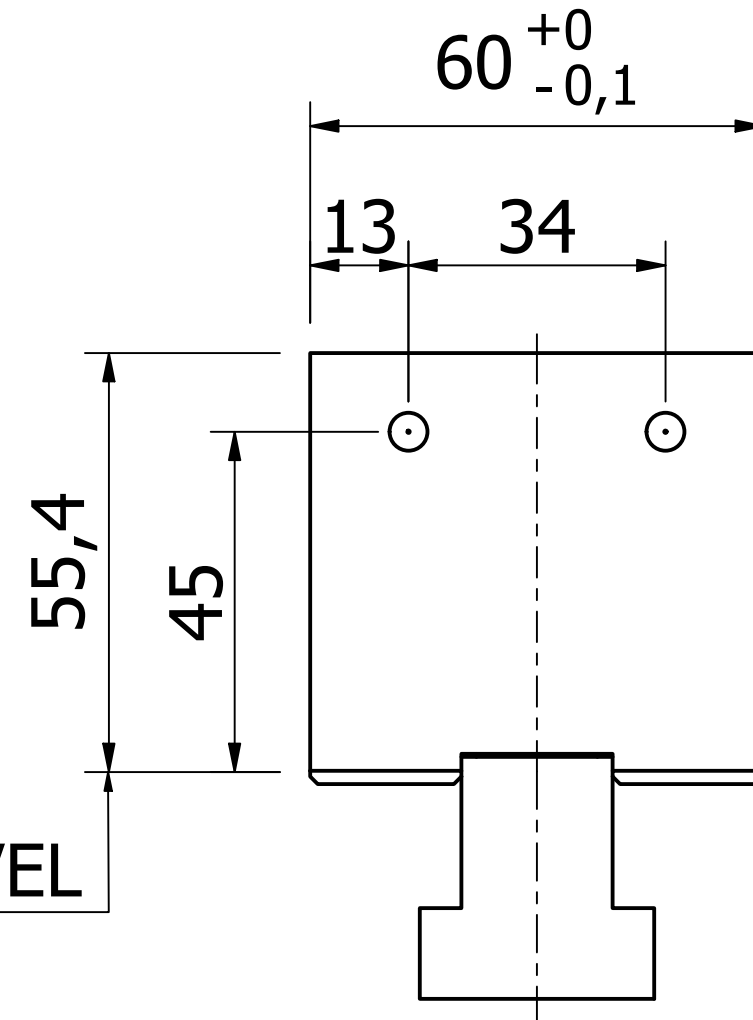


Product code: RHS-GS2



RH -TOP LEVEL



DIMENSIONS

Drawing name	Rev	Date
RHS-GS2_D.dwg	0	20.3.2025