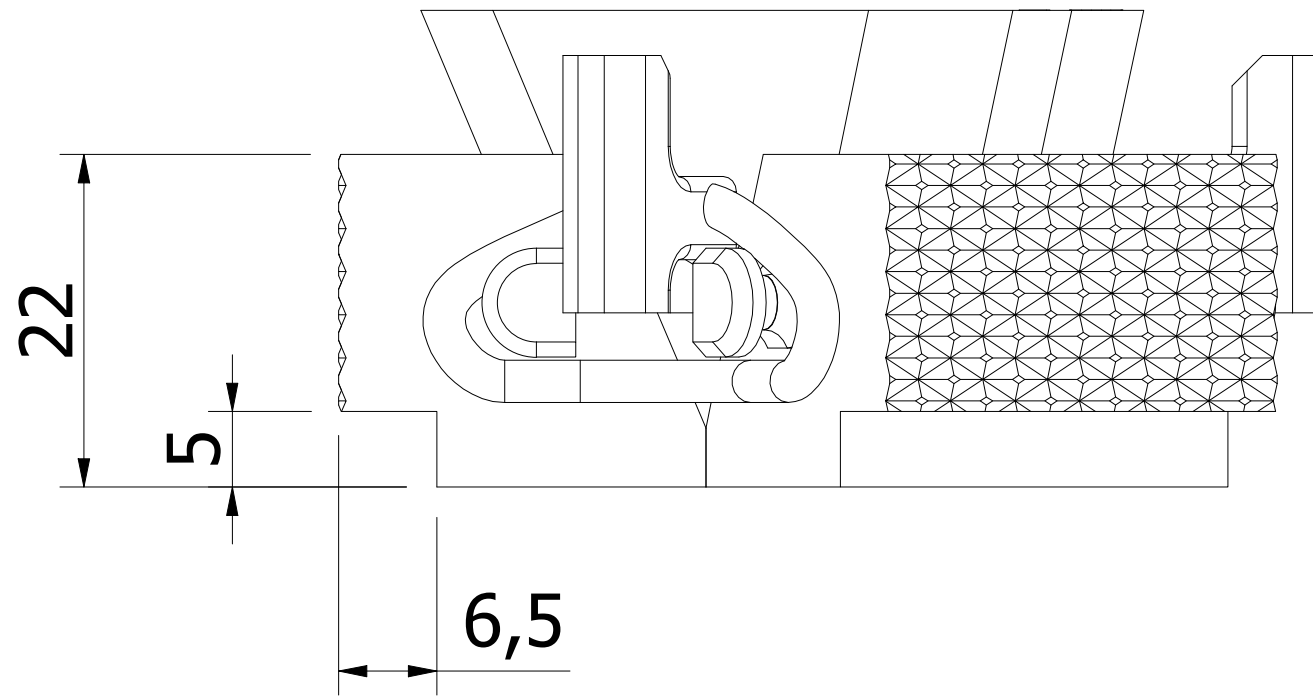


Product code: DK3-VT-M1



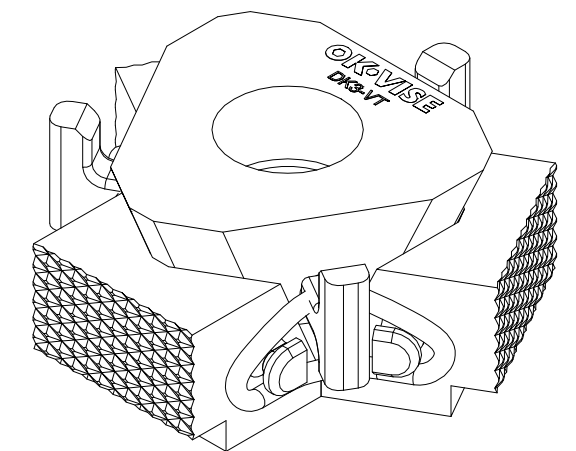
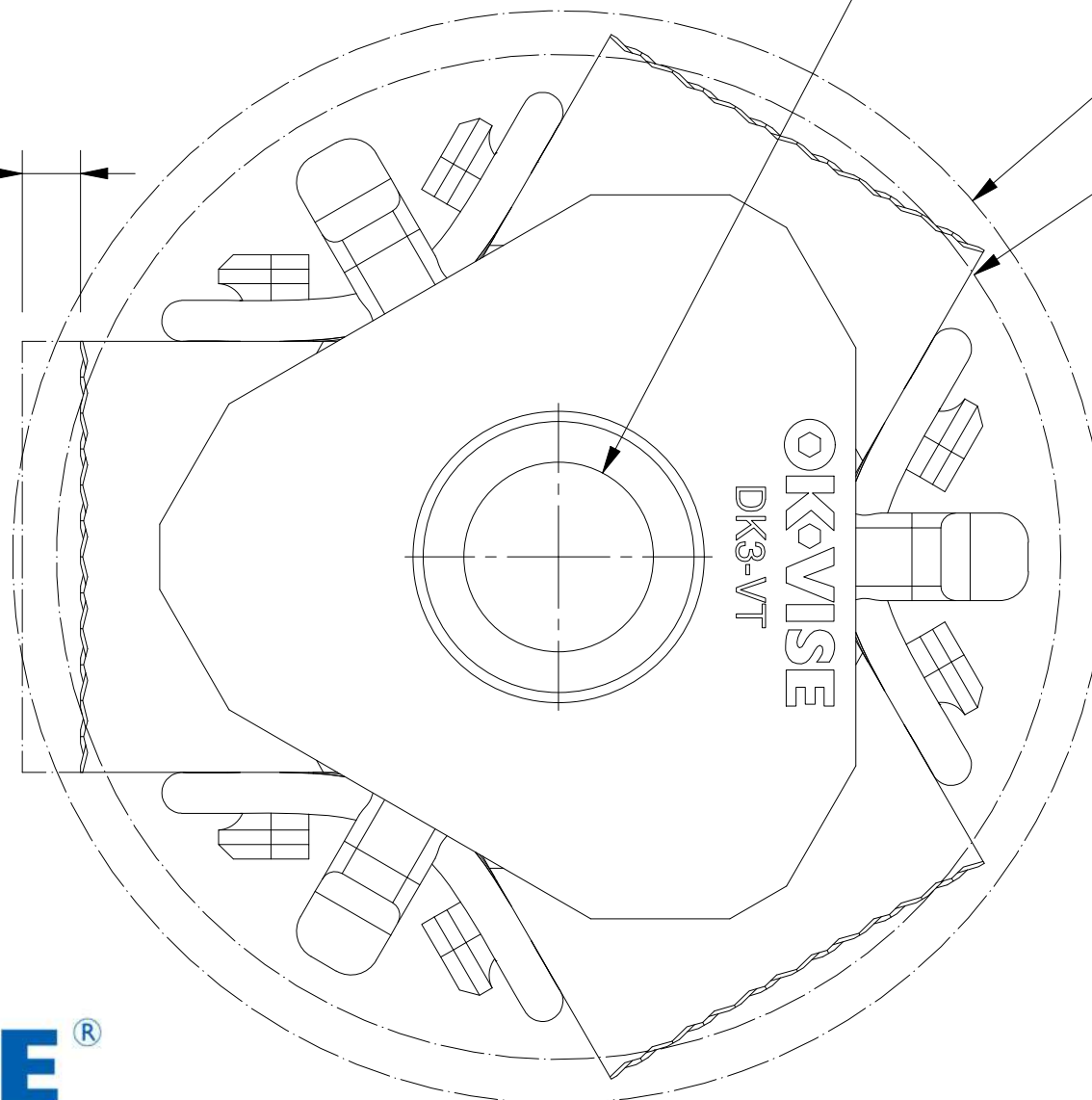
Max machinable D =  $\varnothing 75$

Min machinable D =  $\varnothing 69$

Stroke = 4

$\varnothing 13$

MACHINABLE D IS APPLICABLE WHEN  
MILLING JIG TPK3-1 IS USED



**OK·VISE**®

DIMENSIONS

Drawing name	Rev	Date
DK3-VT-M1_D.dwg	1	30.10.2024