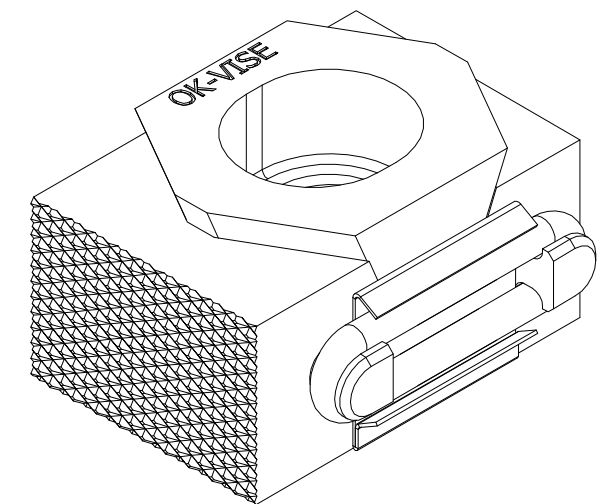
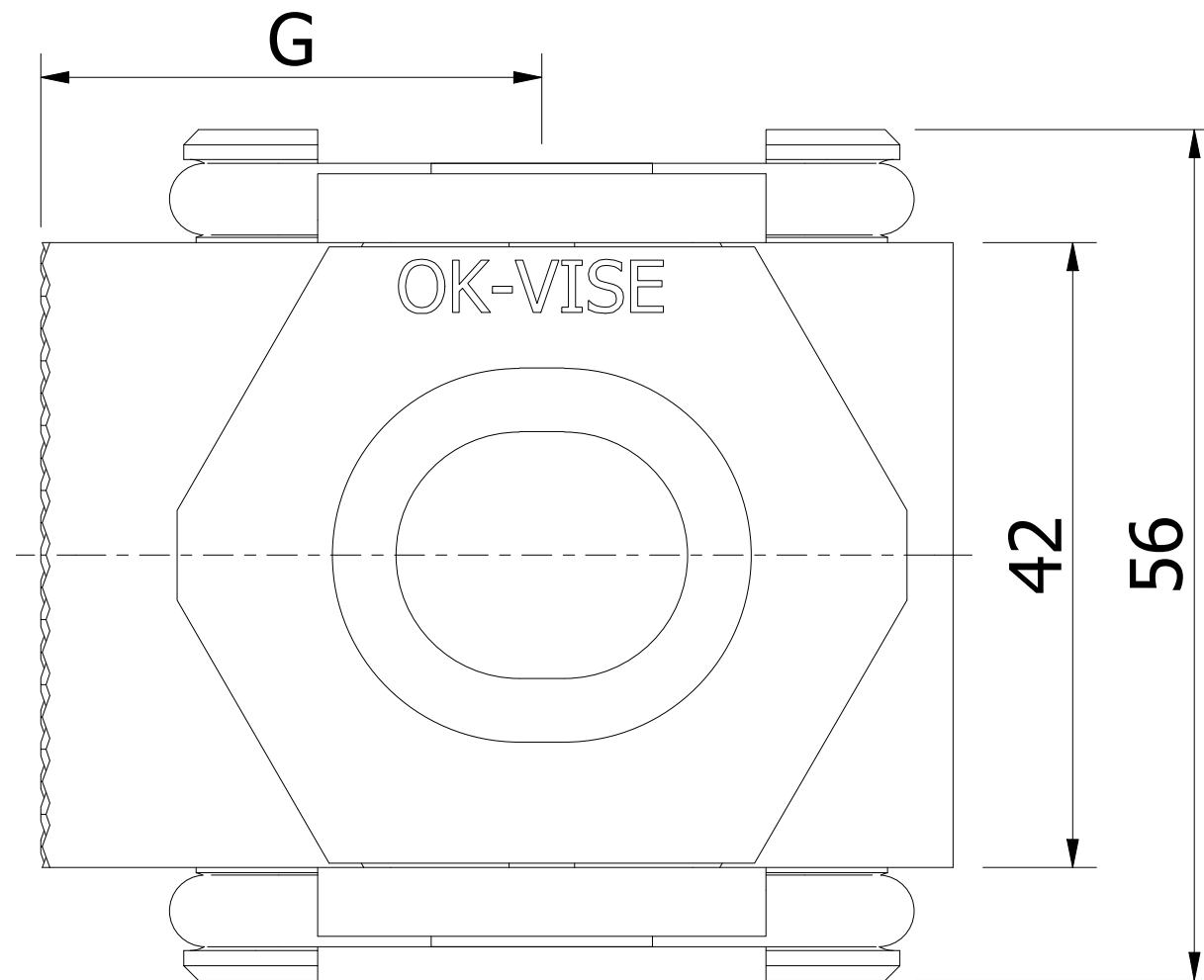
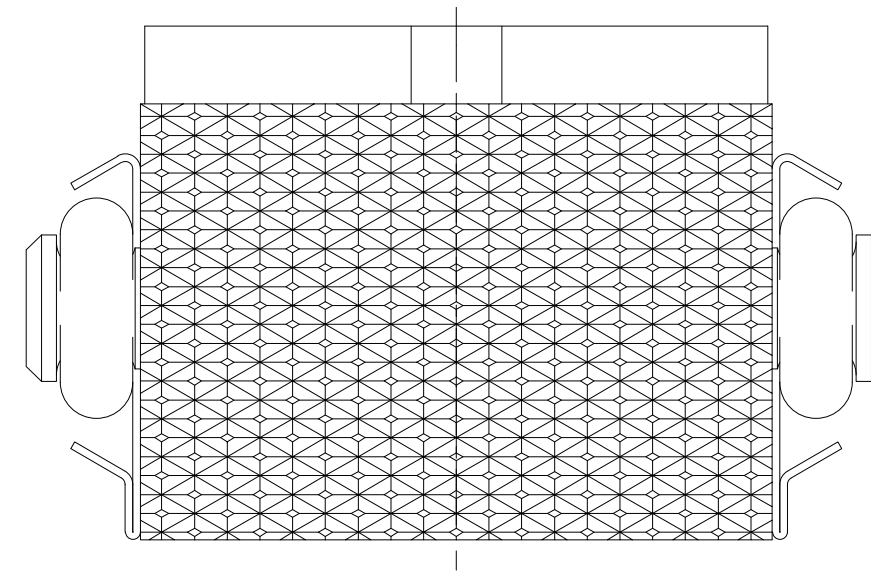
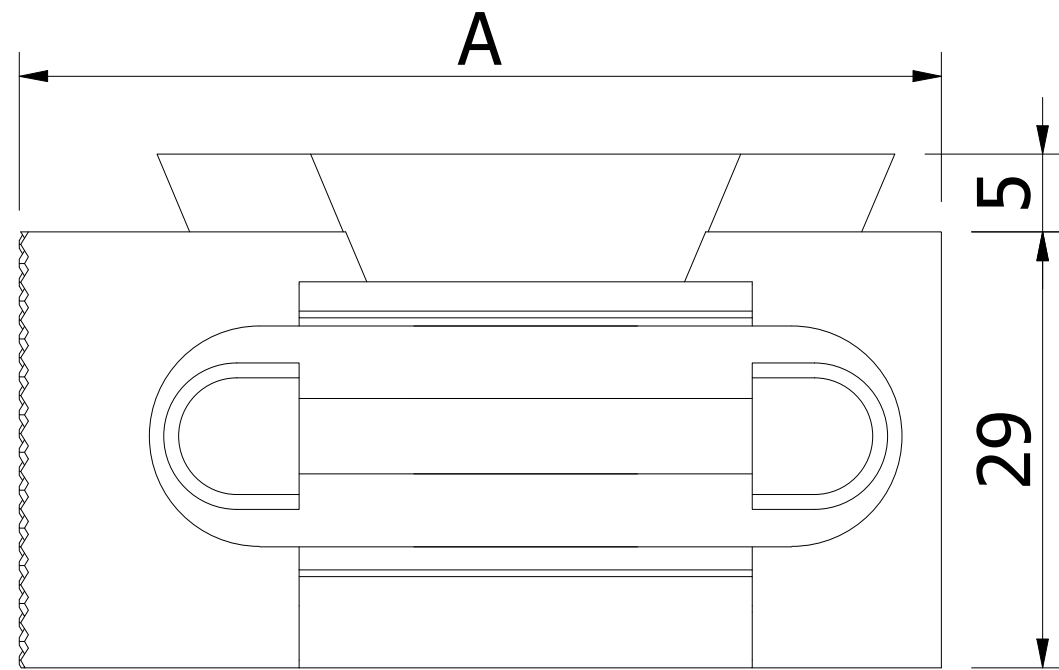


Product code: FK2-VT+5S



A			G		
MIN	OPTIMUM	MAX	MIN	OPTIMUM	MAX
62	65	70	33,5	35	37,5

DIMENSIONS

Drawing name	Rev	Date
FK2-VT+5S_D.dwg	0	22.12.2023