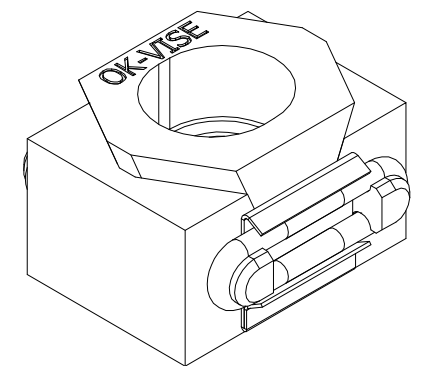
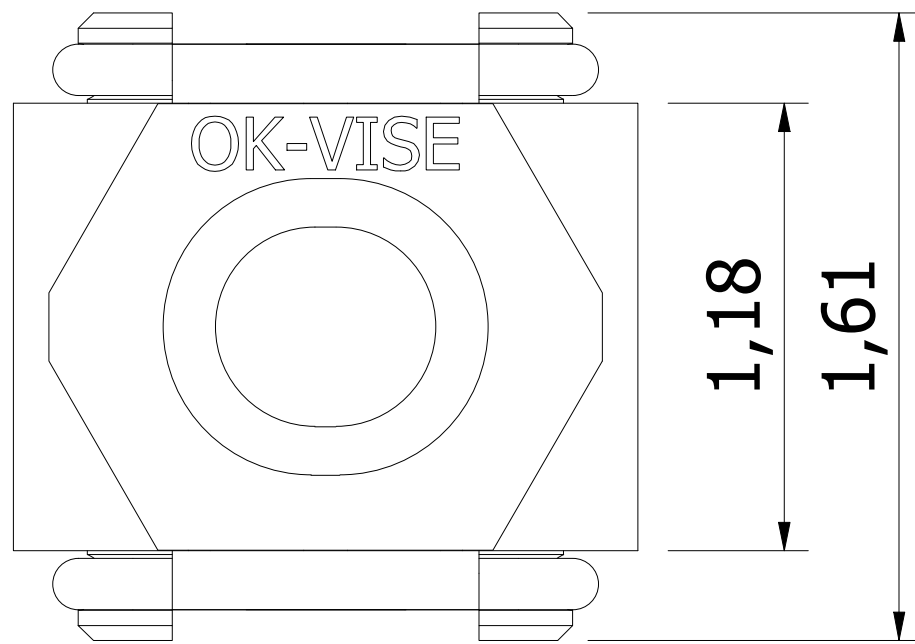
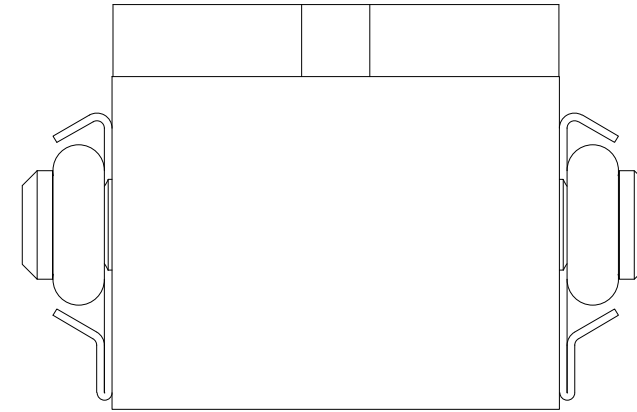
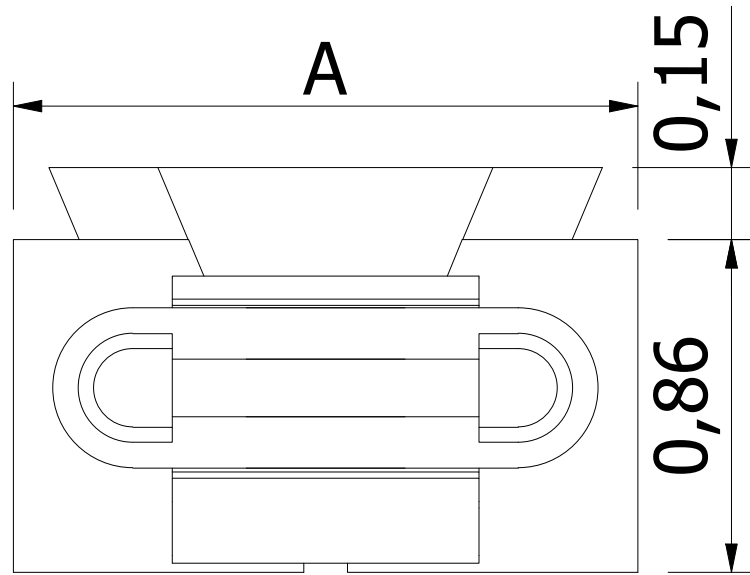


Product code: DK2-VTI-S



A		
MIN	OPTIMUM	MAX
1,65	1,77	1,92

DIMENSIONS

Drawing name	Rev	Date
DK2-VTI-S_D.dwg	0	21.12.2023