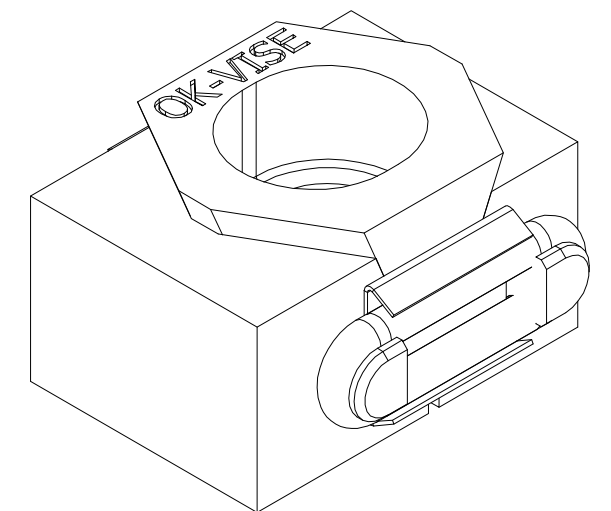
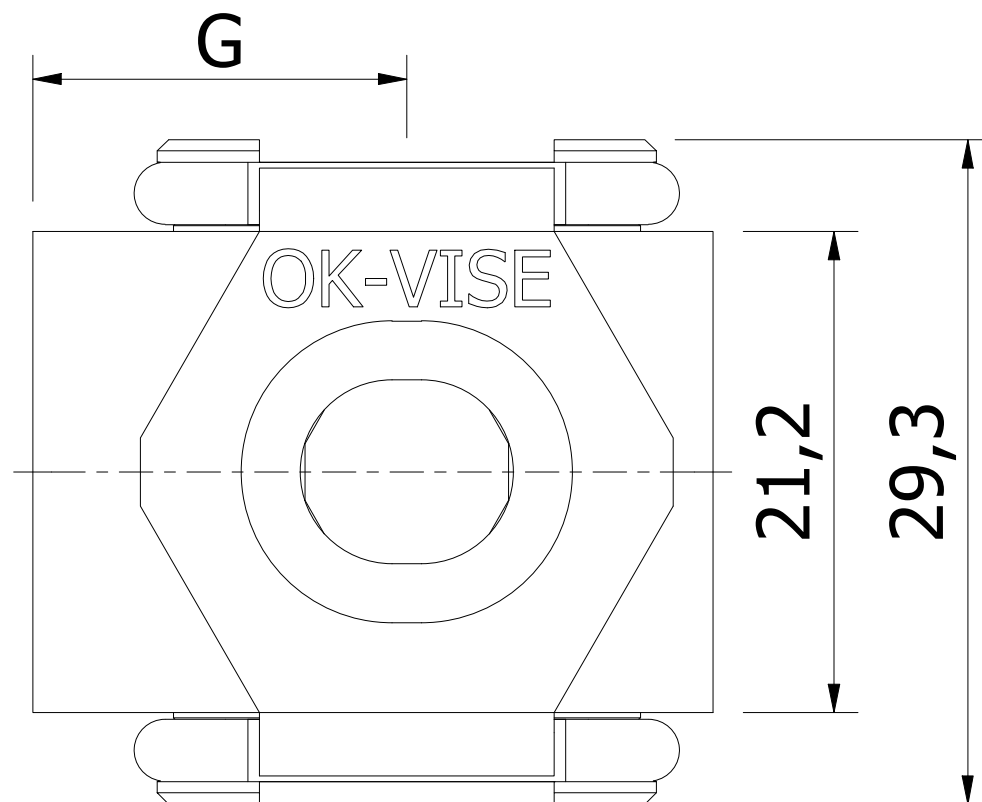
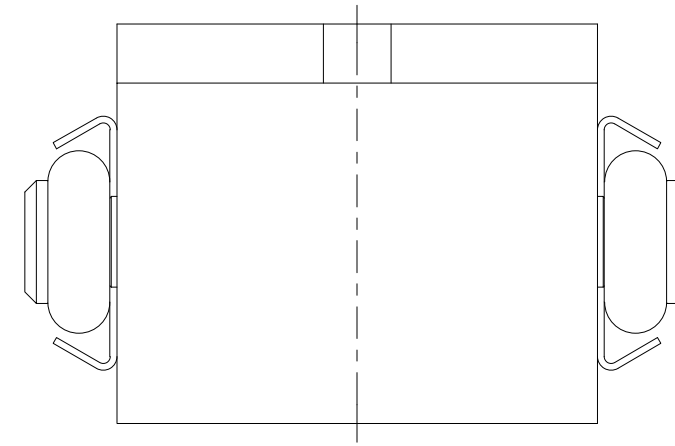
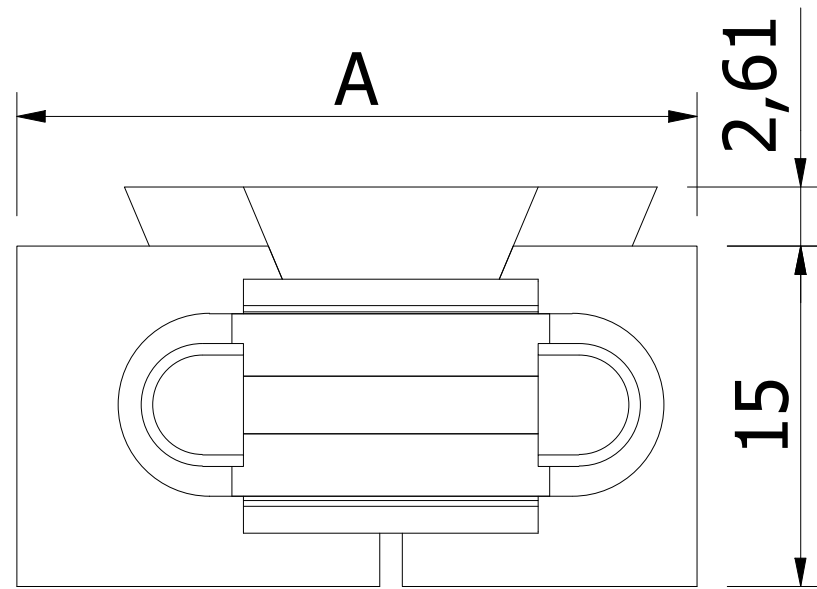


Product code: BK2-VT+3S



| A | | | G | | |
|-----|---------|-----|------|---------|------|
| MIN | OPTIMUM | MAX | MIN | OPTIMUM | MAX |
| 30 | 32 | 34 | 16,5 | 17,5 | 18,5 |

DIMENSIONS

| Drawing name | Rev | Date |
|-----------------|-----|------------|
| BK2-VT+3S_D.dwg | 0 | 21.12.2023 |