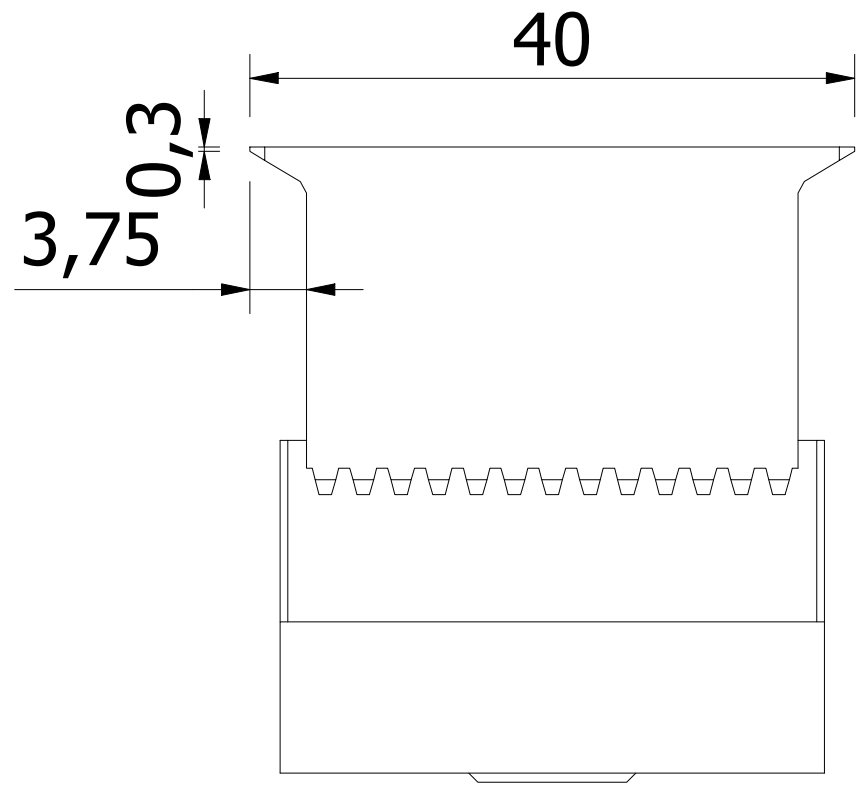
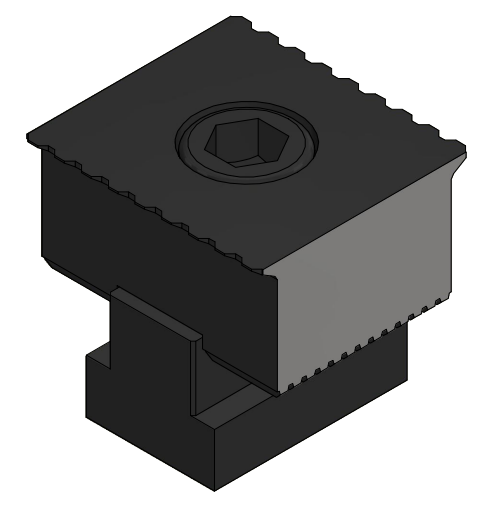
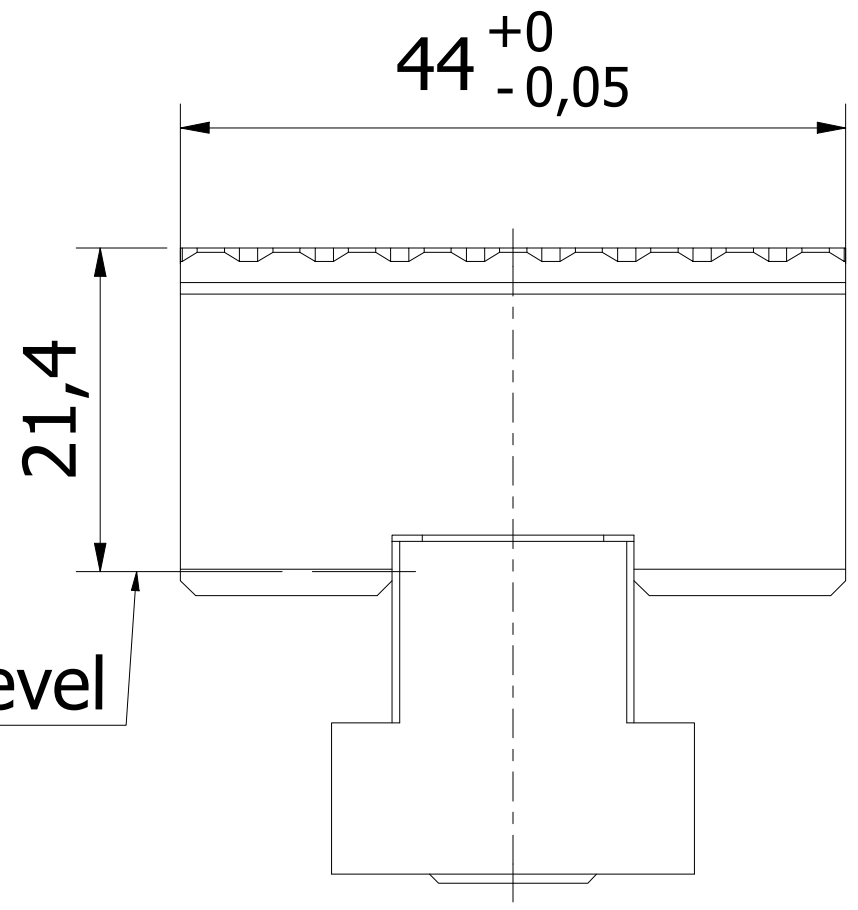


6 5 4 3 2 1

D  
C  
B  
A



RM top level



DIMENSIONS

Drawing name	Rev	Date
RMS-G4_D.dwg	0	26.11.2021



6 5 4 3 2 1