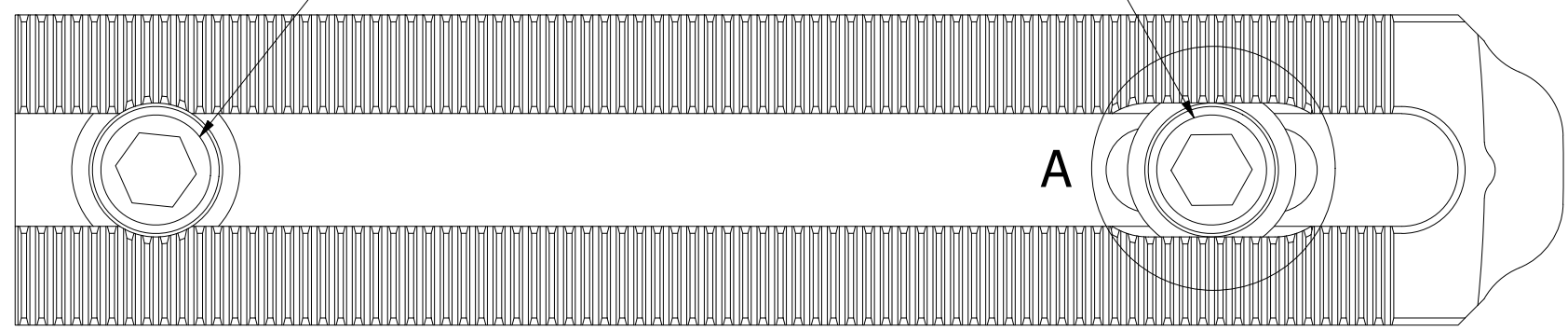
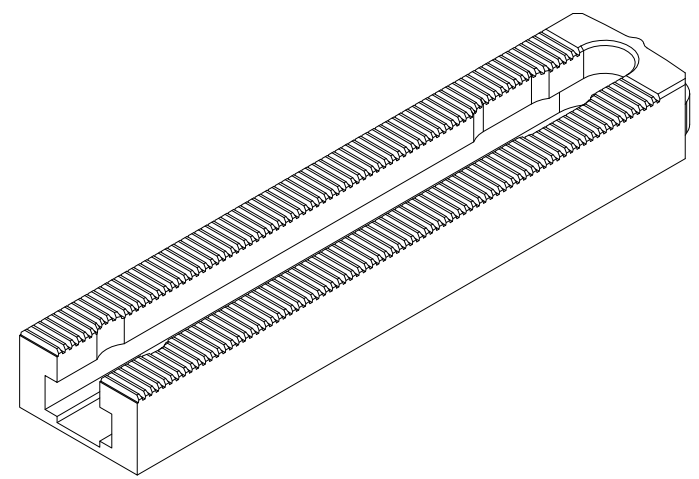
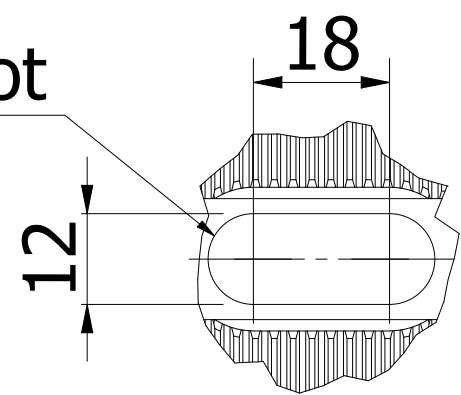


For positioning
For accurate aligning



A (1:1)

View of the aligning slot



DIMENSIONS

Drawing name	Rev	Date
RL-A210_D.dwg		16.5.2023