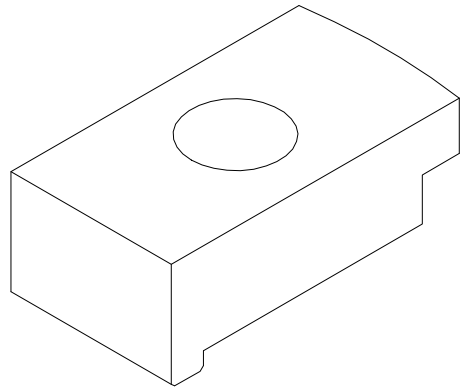
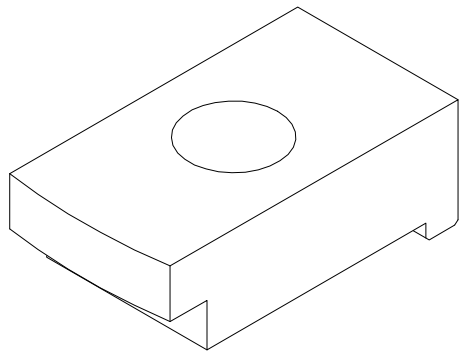
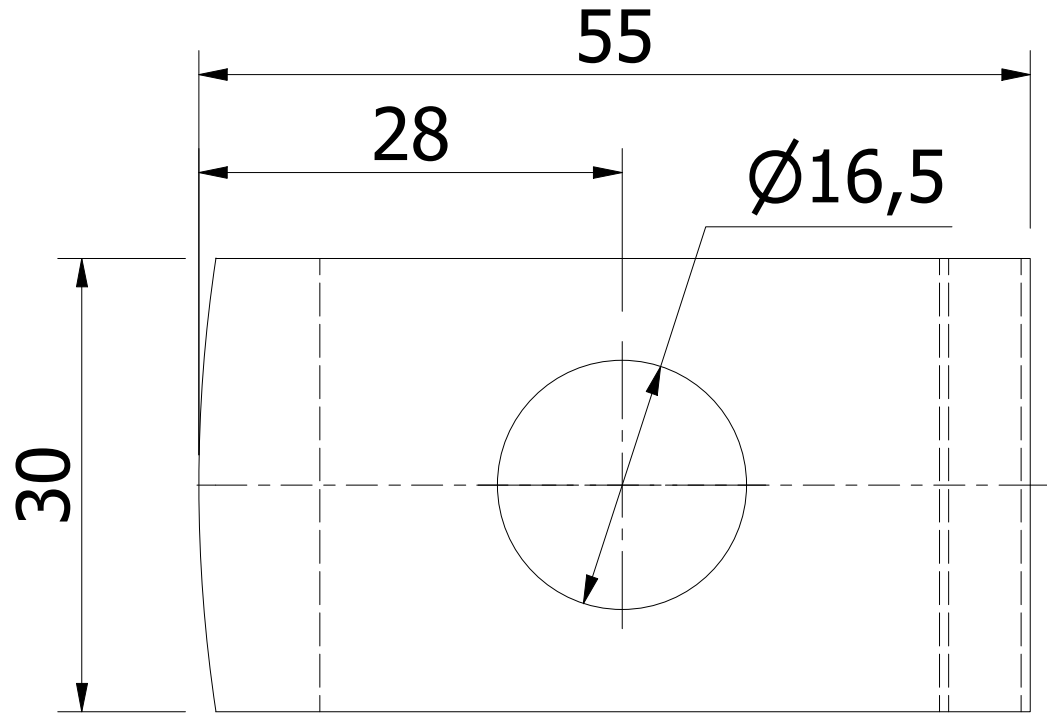
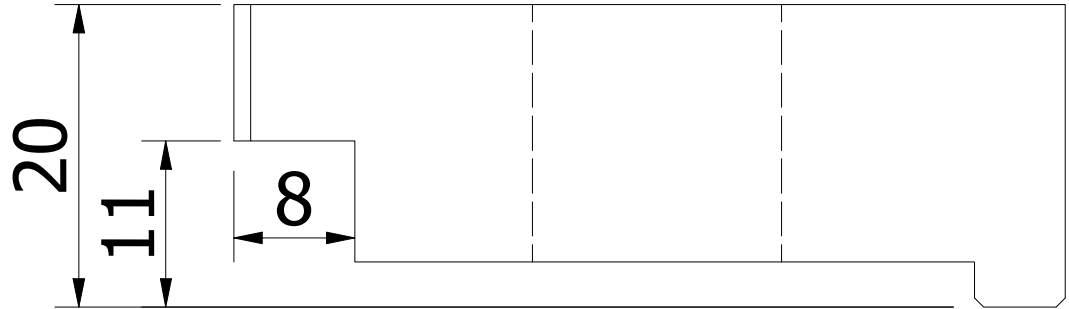


PRODUCT CODE: ICI-16



OK-VISE®

INCLUDE 2 PCS!

DIMENSIONS

Drawing name	Rev	Date
ICI-16_D.dwg	1	14.2.2023