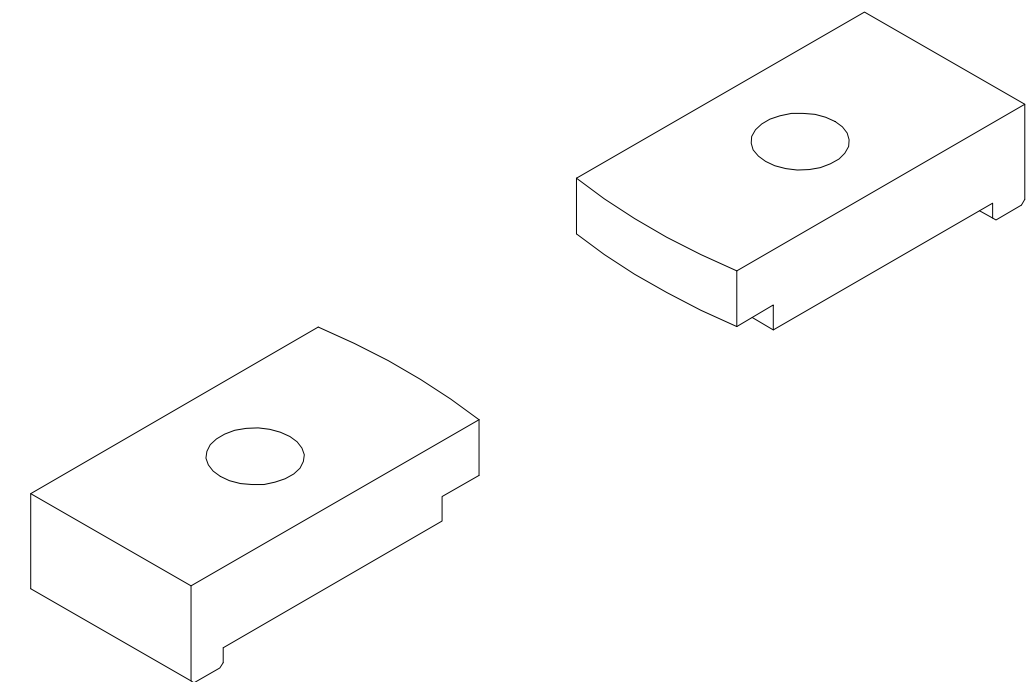
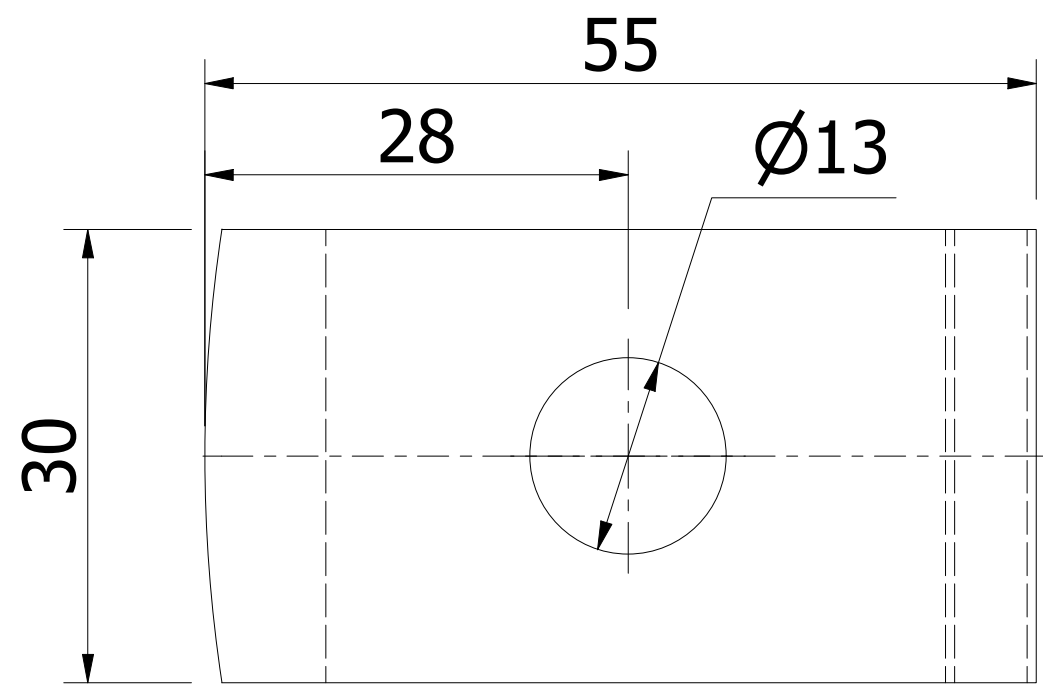
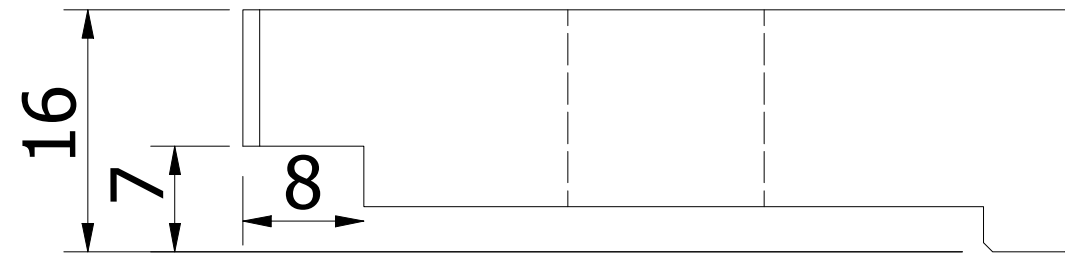


Product code: ICI-12-C



**OK-VISE**<sup>®</sup>

Include 2pcs!

DIMENSIONS

Drawing name	Rev	Date
ICI-12-C_D.dwg	0	15.2.2023