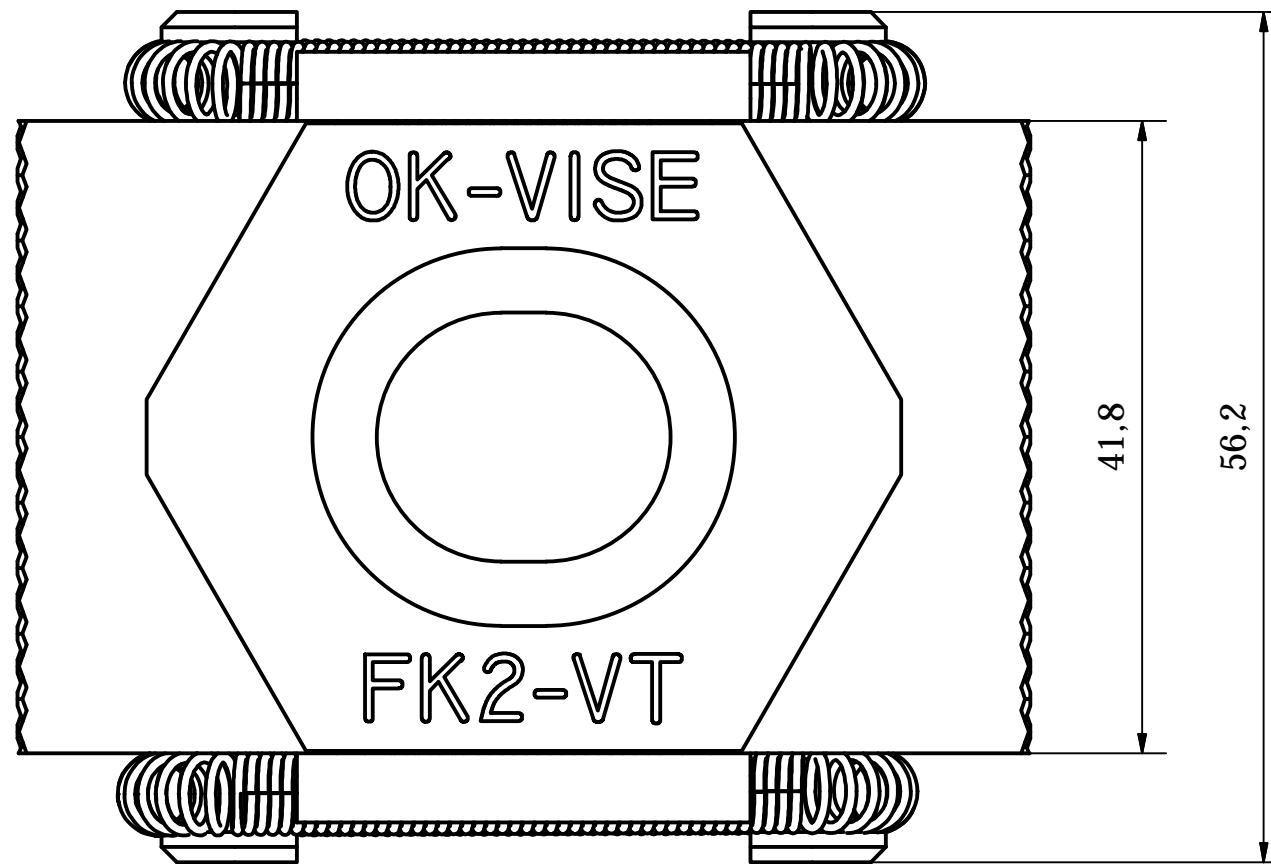
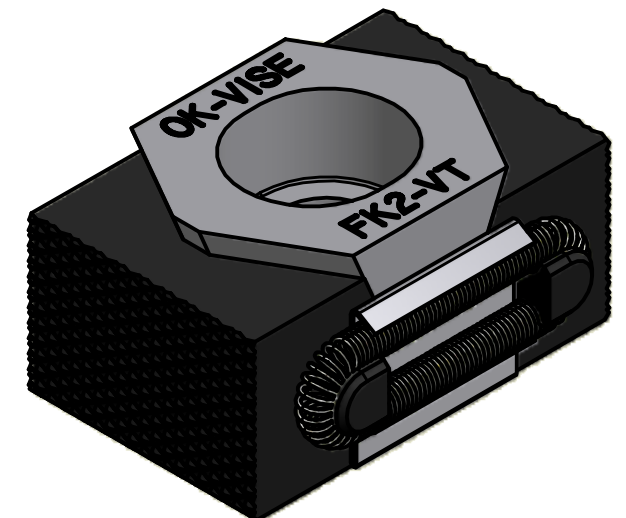


(2 : 1)



(1 : 1)



A		
MIN	OPTIMUM	MAX
67	70	75

OK - VISE MUURAME FINLAND	Material	Creation date 24.05.2010		
	Tolerance	Designed by tuuja		
Title FK2-VT+5	SFS-EN 22768-1	Approved by		
	Refers to			
	No	Edition	Sheet	
				1 / 1