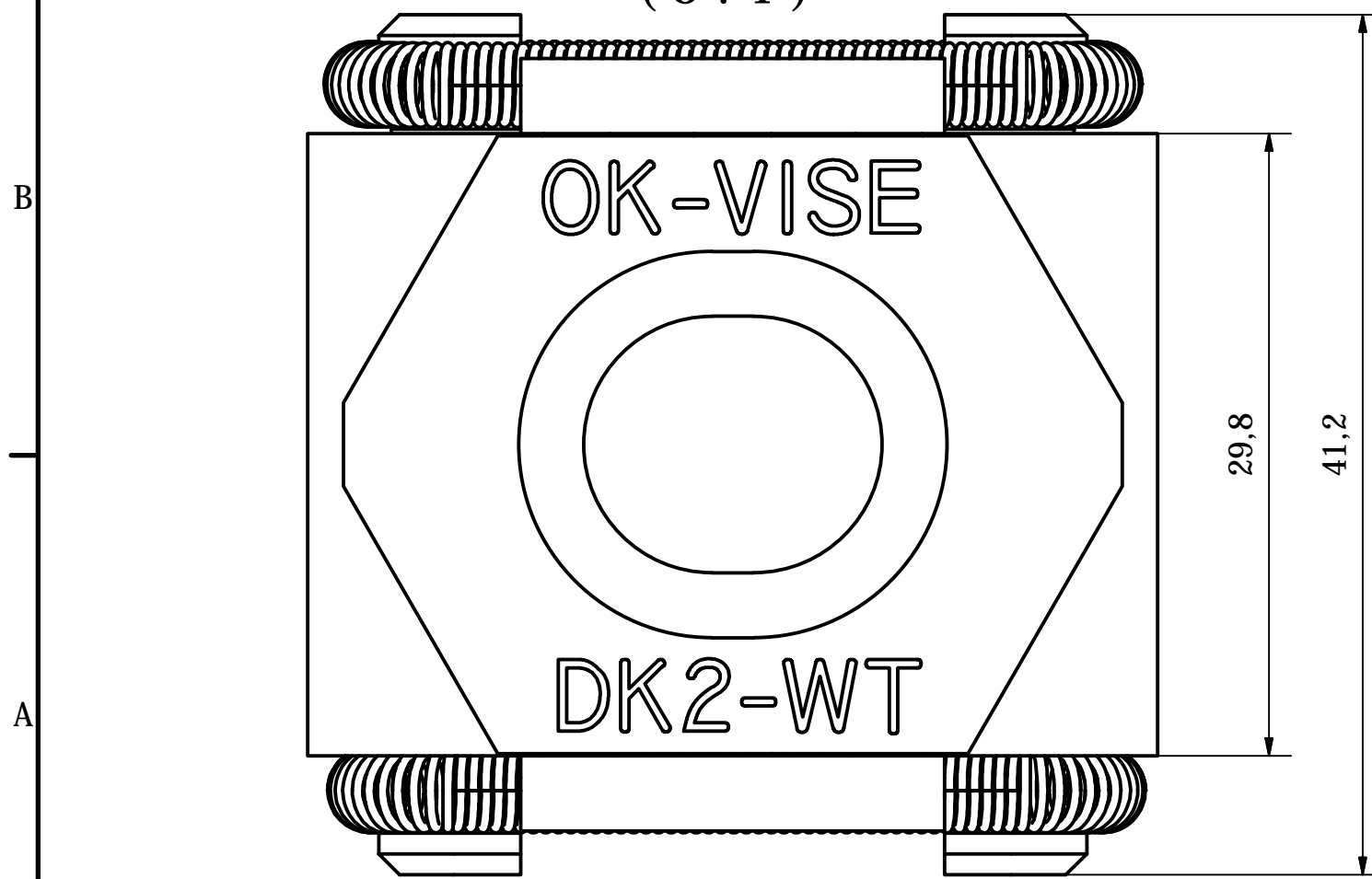
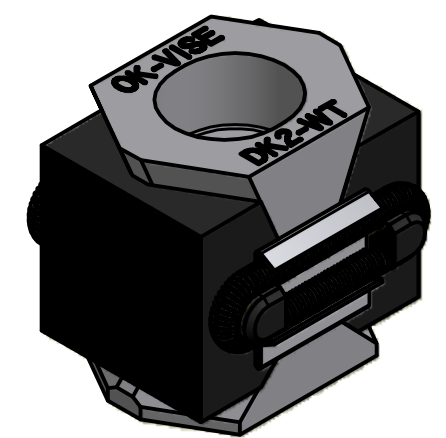
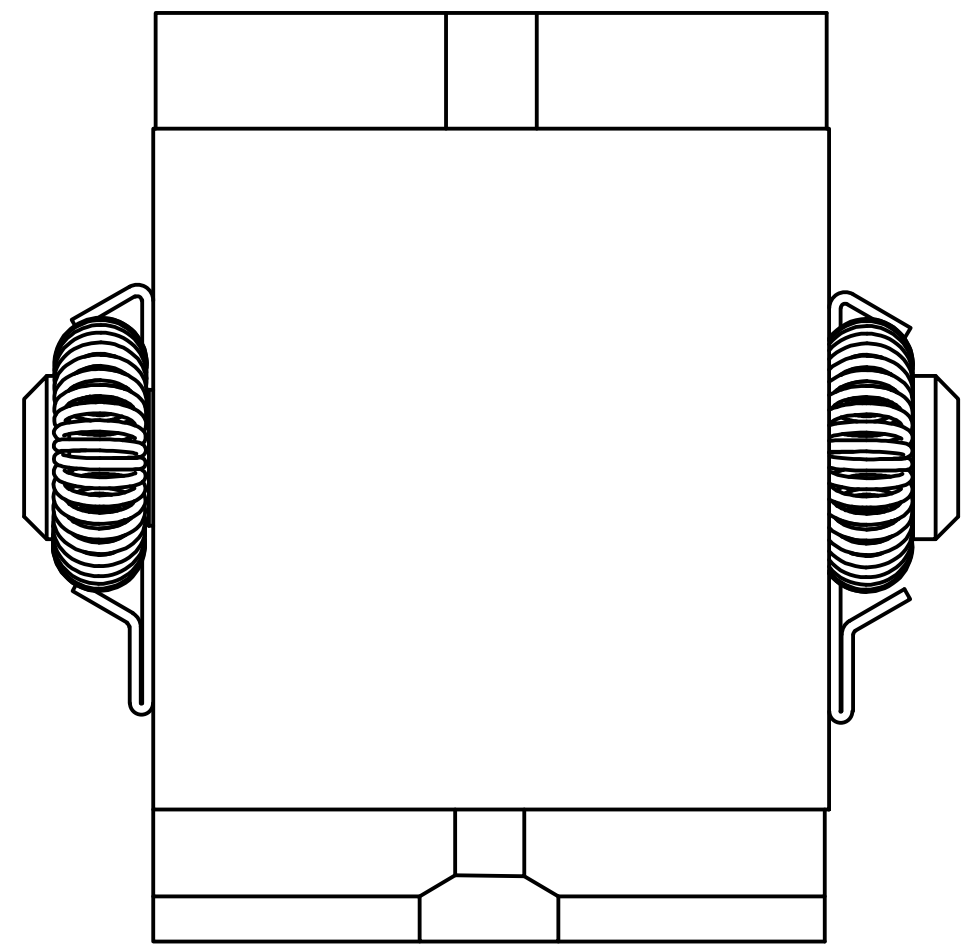


(3 : 1)



(1 : 1)



A		
MIN	OPTIMUM	MAX
41	45	48

OK - VISE	Material	Creation date 27.05.2010		
	MUURAME FINLAND	Tolerance SFS-EN 22768-1	Designed by tuuja	
Title DK2-WT-S - DK2-WTI-S	Approved by		Refers to	
	No	Edition	Sheet	
			1 / 1	