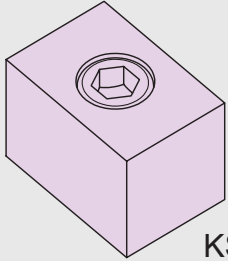
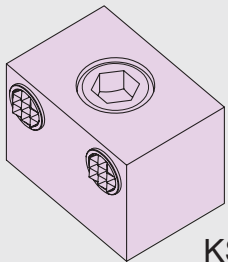


## COMPONENT

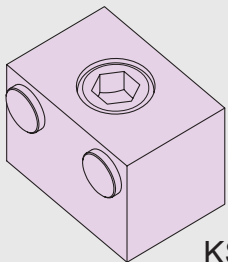
## KS-S1 • KS-R2 • KS-D2



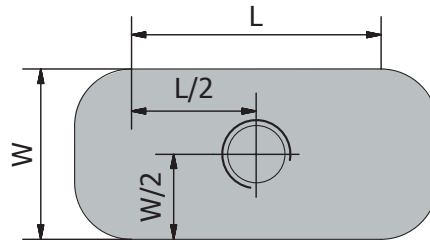
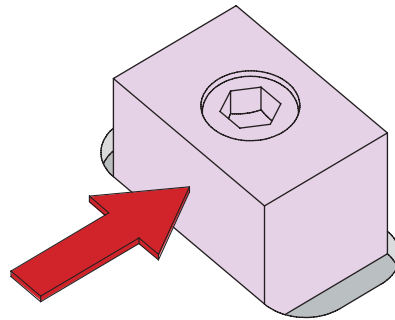
KS-S1



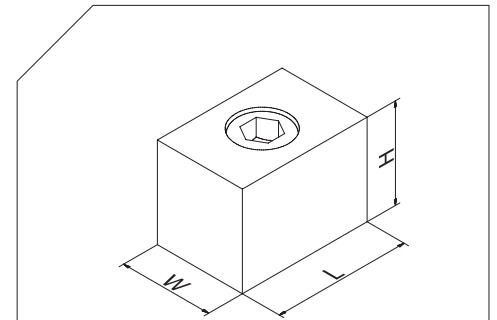
KS-R2



KS-D2



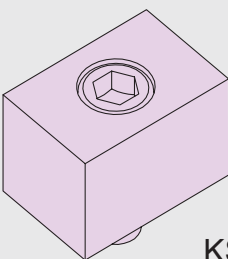
Pocket K1A



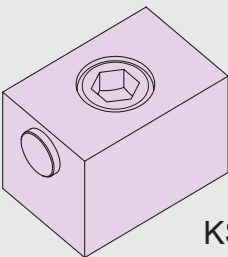
Type	H	L	W
KS-S1	32	44	30
KS-R1			
KS-R2			
KS-D1			
KS-D2			

## COMPONENT

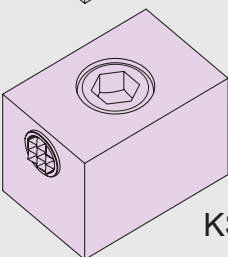
## KS-S1 • KS-D1 • KS-R1



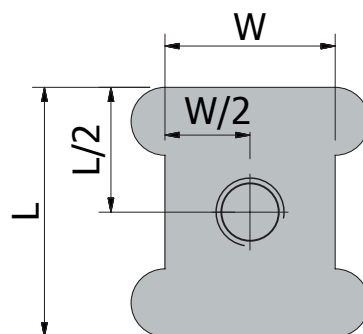
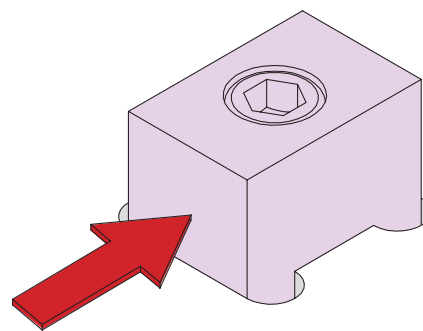
KS-S1



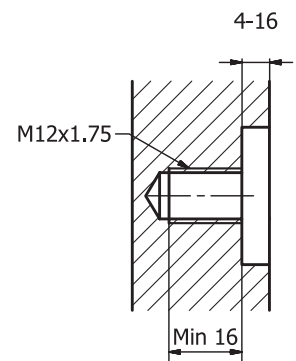
KS-D1



KS-R1

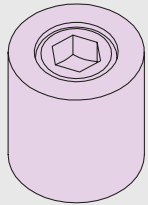


Pocket K1B

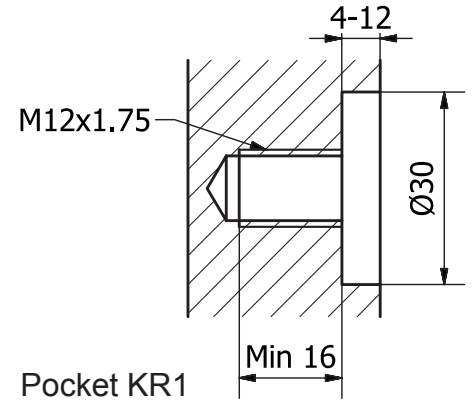


## COMPONENT

## KS-S01

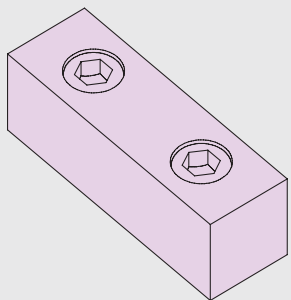


KS-S01

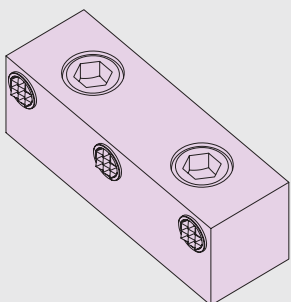


## COMPONENT

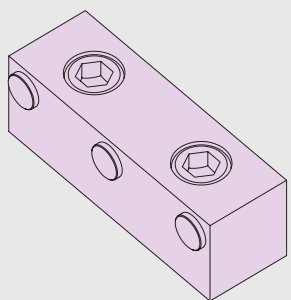
## KS-S2 • KS-R3 • KS-D3



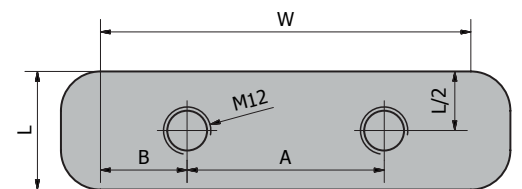
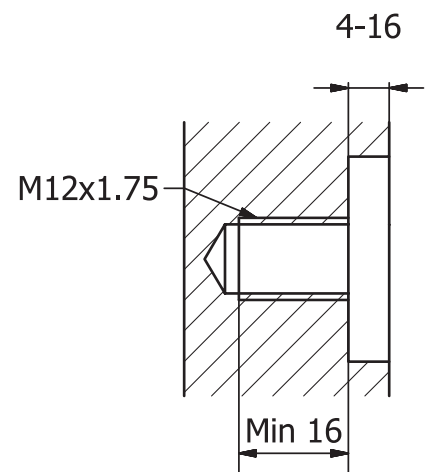
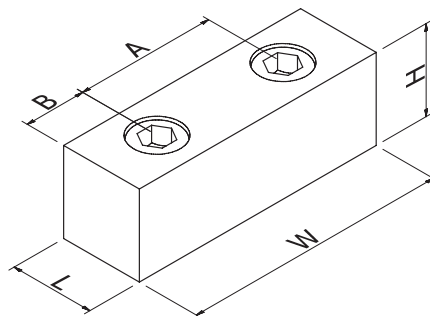
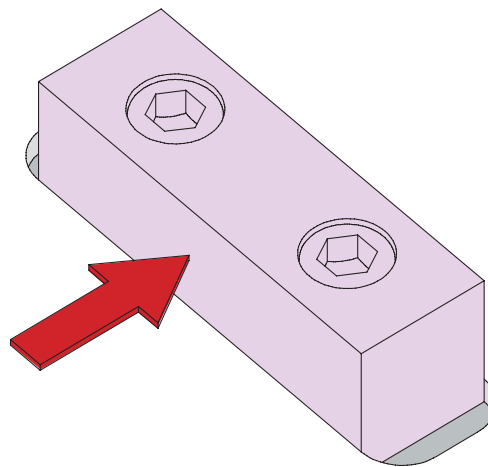
KS-S2



KS-R3



KS-D3

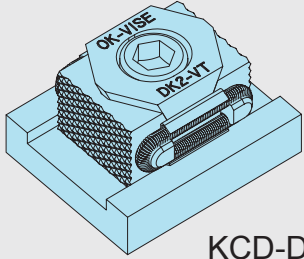


Pocket K2

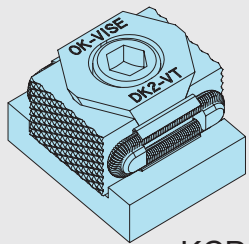
Type	A	B	H	L	W
KS-D3	50	22	32	30	94
KS-R3					
KS-S2					

## COMPONENT

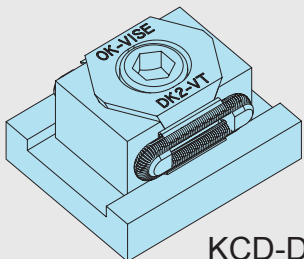
## KCD-DR1 • KCD-DS1 • KCD-DS2 • KCD-DR2



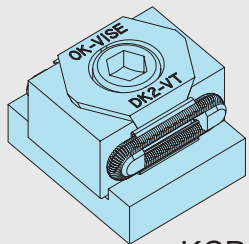
KCD-DR1



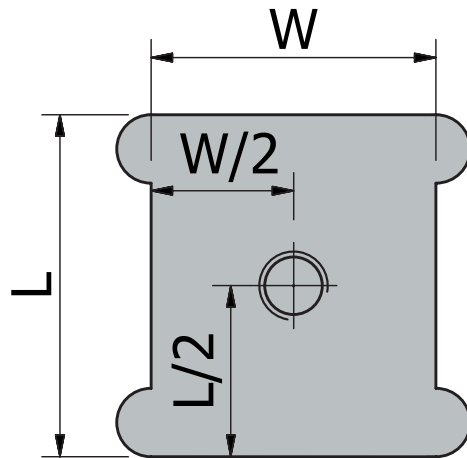
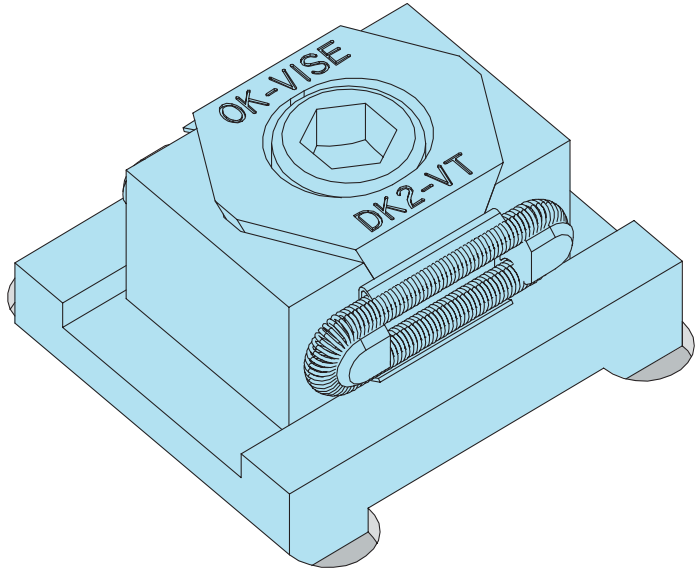
KCD-DS1



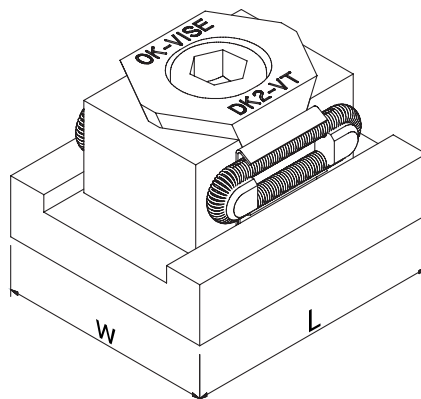
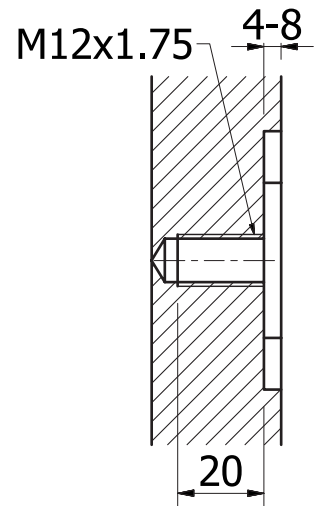
KCD-DS2



KCD-DR2



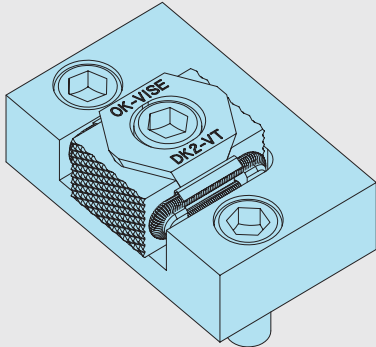
Pocket K3



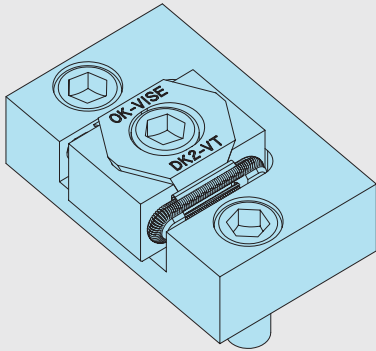
Type	L	W
KCD-DR1	60	50
KCD-DR2	40	
KCD-DS1	60	
KCD-DS2	40	

## COMPONENT

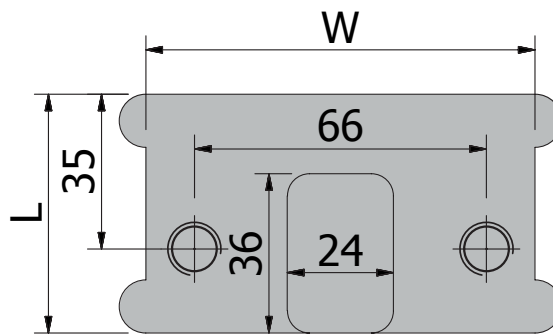
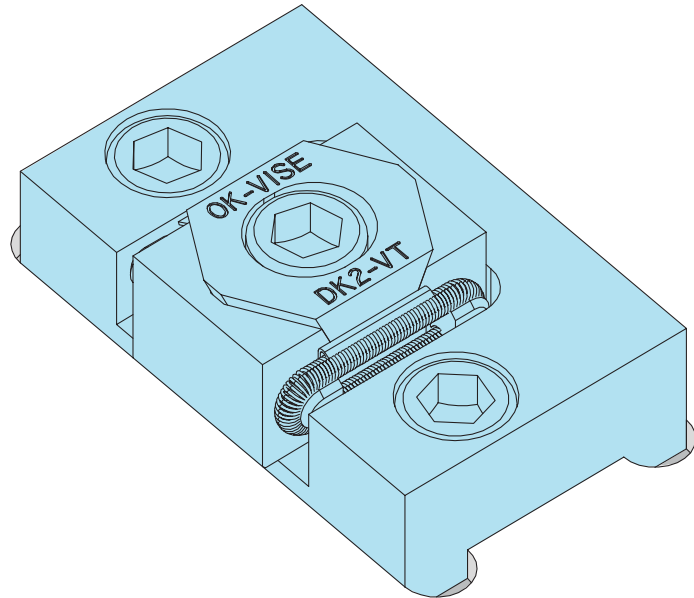
## KCS-DR1 • KCS-DS1



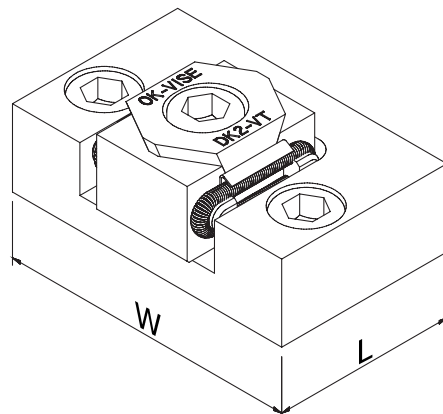
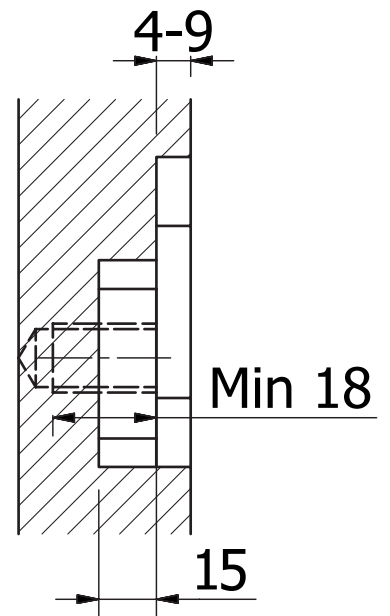
KCS-DR1



KCS-DS1



Pocket K4



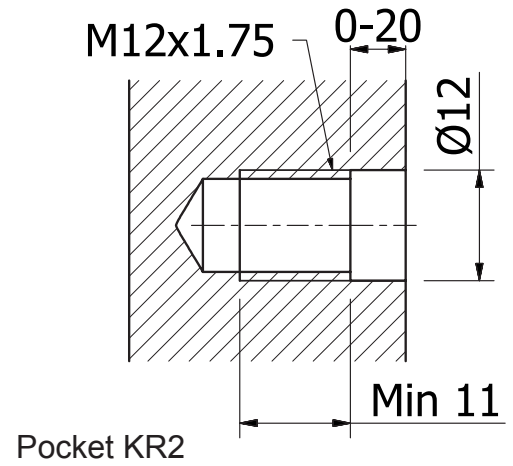
Type	L	W
KCS-DR1	54	88
KCS-DS2		

COMPONENT

KG-1

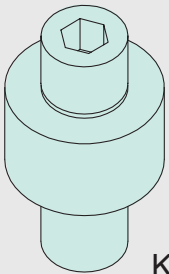


KG-1

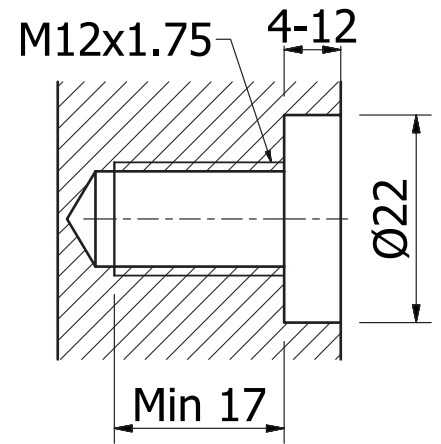


COMPONENT

KG-2

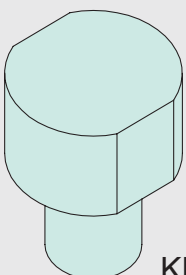


KG-2



COMPONENT

KP-1



KP-1

